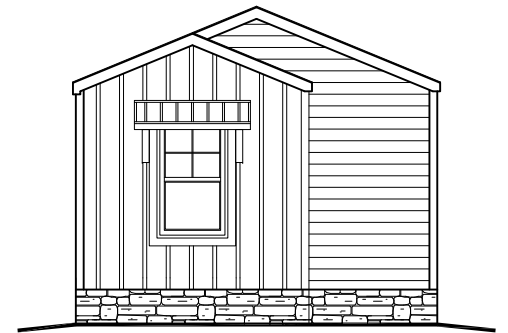
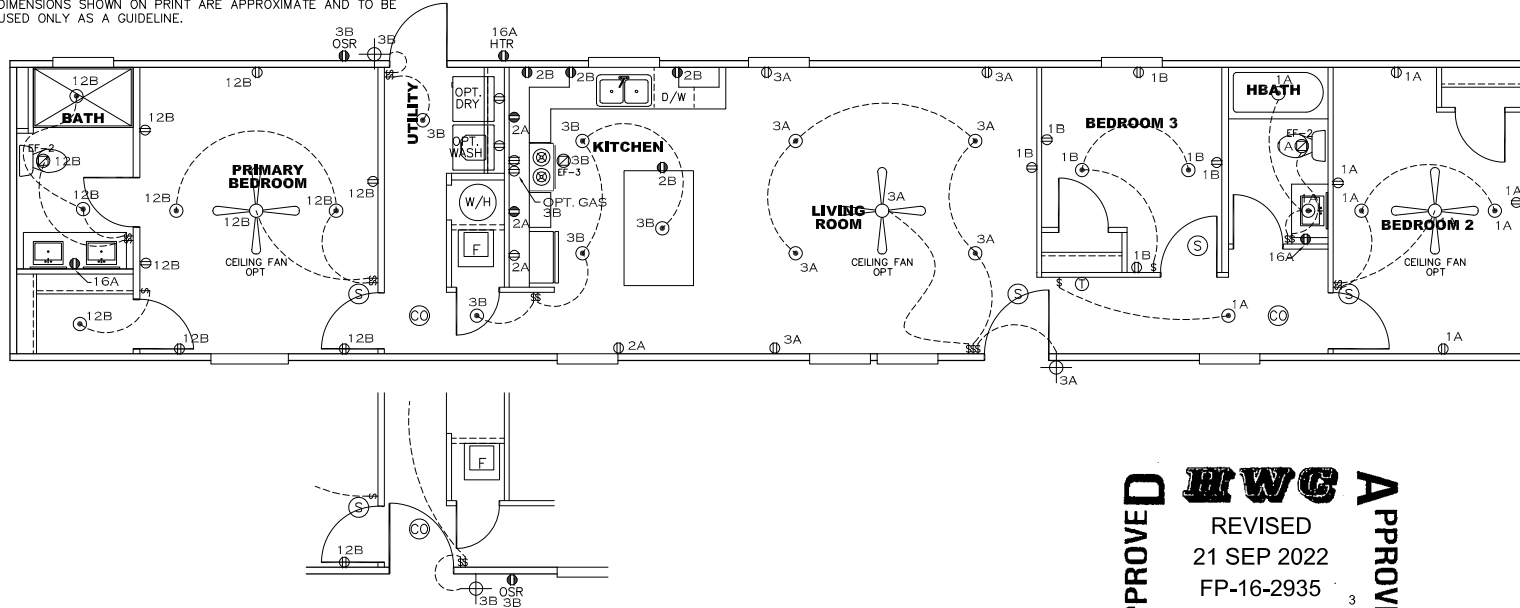


MODEL # NXT16763A
 DRAWING # 52S009
 16'x76' TRINITY



NOTES:

1. ALL CIRCUITS SHOWN ARE FOR REFERENCE AND MAY BE CHANGED BASED ON OPTIONAL COMPONENTS INSTALLED IN THE HOME.
2. REFER TO DAPIA MANUAL FOR SYMBOL CHART.
3. EITHER LIGHT OR RECEPTACLE MUST CONNECT TO SWITCH.
4. EF-1= 50 CFM EXHAUST FAN REQUIRED FOR THERMAL ZONE III THERMAL ZONES I & II MAY USE FAN OR WINDOW W/1.5 SQ. FT. OPENABLE GLASS.
5. EF-2= 50 CFM EXHAUST FAN REQUIRED THERMAL ZONE I, II, AND III.
6. EF-3= 100 CFM RANGE EXHAUST FAN, SWITCH AT HOOD.
7. EF-4= WHOLE HOUSE VENTILATION REQUIREMENTS PER DAPIA MANUAL.
8. REFER TO DAPIA MANUAL OR THE MFG. INSTALLATION INSTRUCTIONS FOR PROPER WIRE SIZE AND BREAKER SIZE FOR SPECIFIC APPLIANCE AND MODEL BEING INSTALLED.
9. ALL SMOKE ALARMS TO BE LOCATED ON THE CEILING.
10. CARBON MONOXIDE ALARMS ARE ONLY REQUIRED WHEN HOME HAS EITHER FUEL BURNING APPLIANCES, IS GARAGE READY OR IS BASEMENT READY. REFERENCE DAPIA MANUAL FOR ADDITIONAL INFORMATION.
11. DIMENSIONS SHOWN ON PRINT ARE APPROXIMATE AND TO BE USED ONLY AS A GUIDELINE.

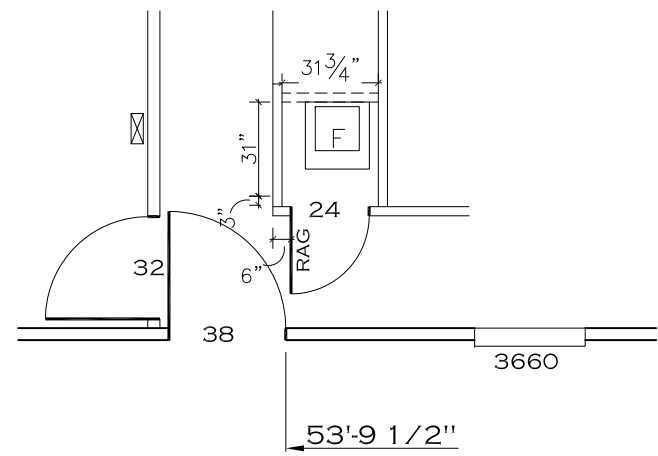
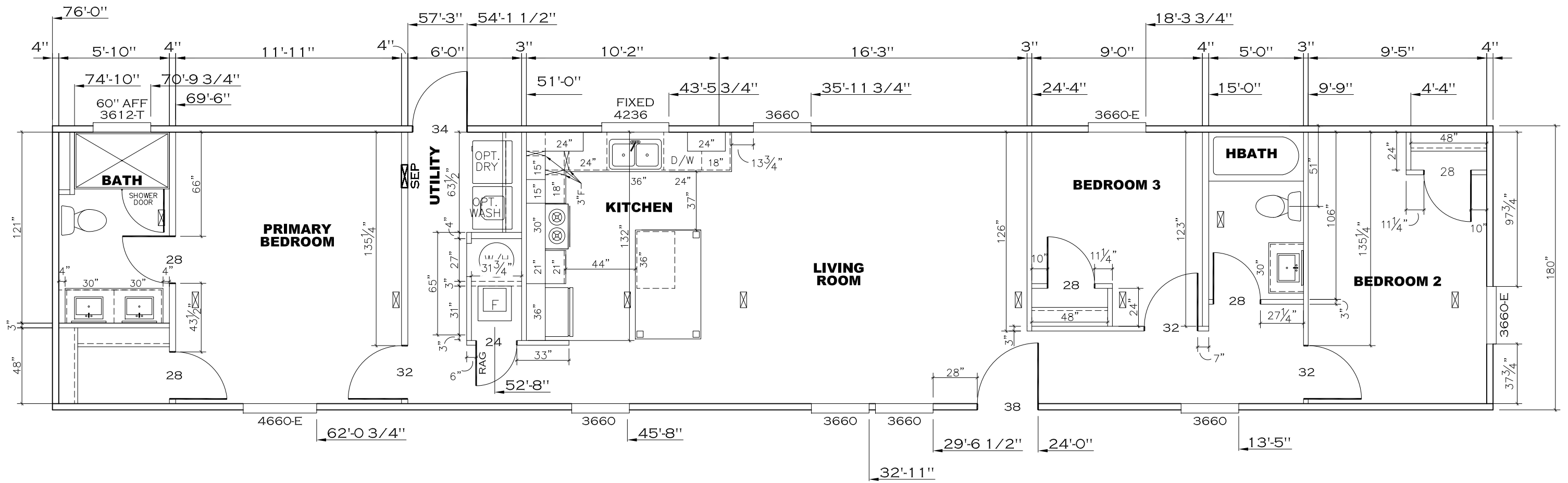


APPROVED **IWGC** **APPROVED**
 REVISED
 21 SEP 2022
 FP-16-2935
 Federal Manufactured
 Home Construction
 And Safety Standards

CIRCUIT	CIRCUIT #	WIRE	BREAKER	CIRCUIT	CIRCUIT #	WIRE	BREAKER	CIRCUIT	CIRCUIT #	WIRE	BREAKER
LIGHT/RECEP	1A,B,3A,3B,12B	14-2	15-SP	WATER HEATER	4A,6B	SEE NOTE #8		BATHROOM	16A	12-2	20-SP
KIT/DINING	2A,2B	12-2	20-SP	RANGE	5B,7A	SEE NOTE #8		OPT G/DISP	9B	SEE NOTE #8	
WASHER	12A	12-2	20-SP	FURNACE	6A,8A,B,10A,B	SEE NOTE #8		OPT SP1/	11A,B	SEE NOTE #8	
DRYER	5A,7B	SEE NOTE #8		OPT D/WASH	9A	SEE NOTE #8		WP/JAC			
				SMOKE ALARM	4B	SEE NOTE #8		MICROWAVE	N/A	SEE NOTE #8	

1140 SQFT SQ.FT. (STD PLAN "CONDITIONED")

CMH MANUFACTURING	Model #: FPC16763A	Drawing #:
	Date: 7/17/20	Scale: N/A
Product Designer: BF	16' X 76' TRINITY	
ELECTRICAL PLAN-06		

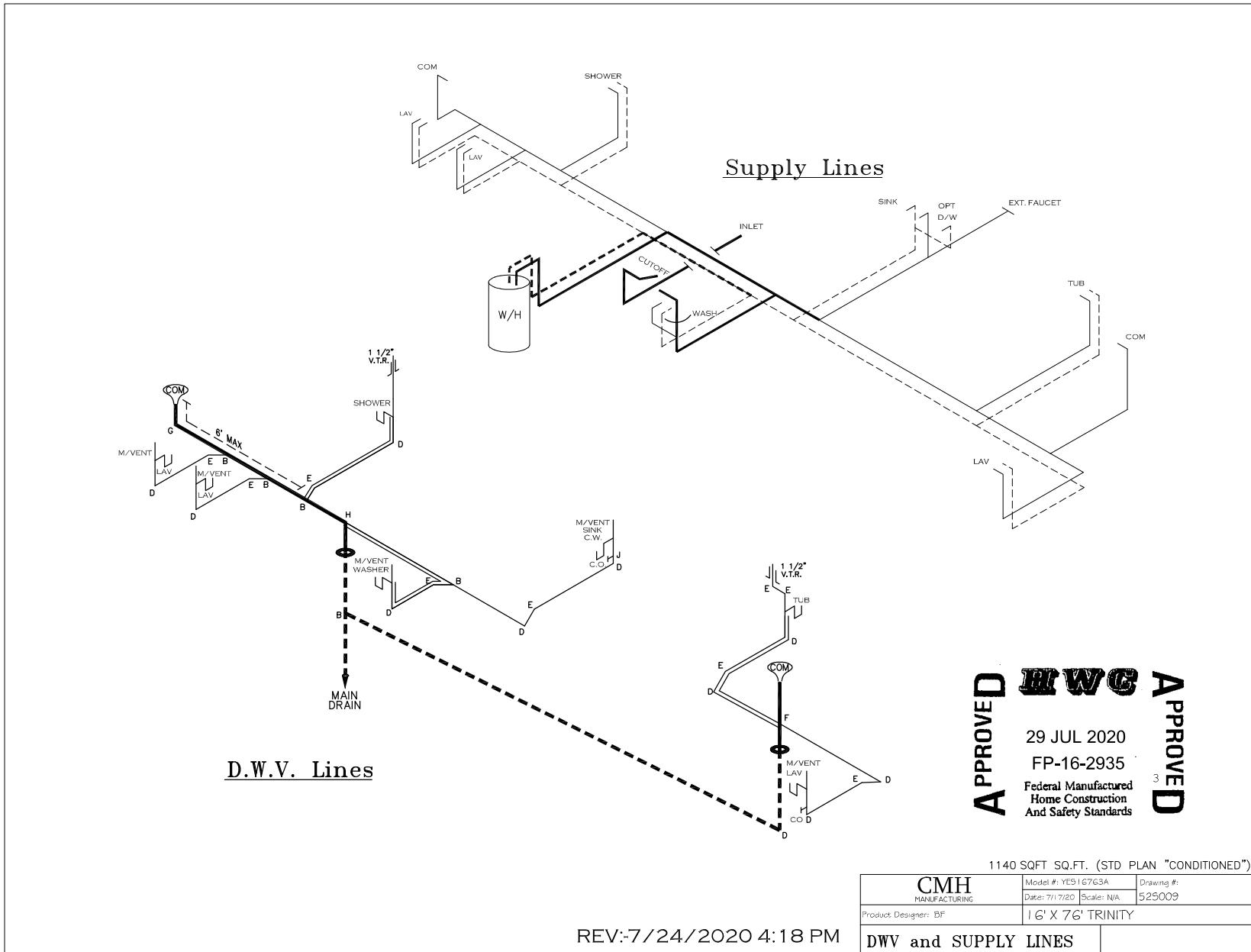


OPT. FRONT DOOR W/
IN PLACE OF REAR DOOR

1140 SQFT SQ.FT. (STD PLAN "CONDITIONED")

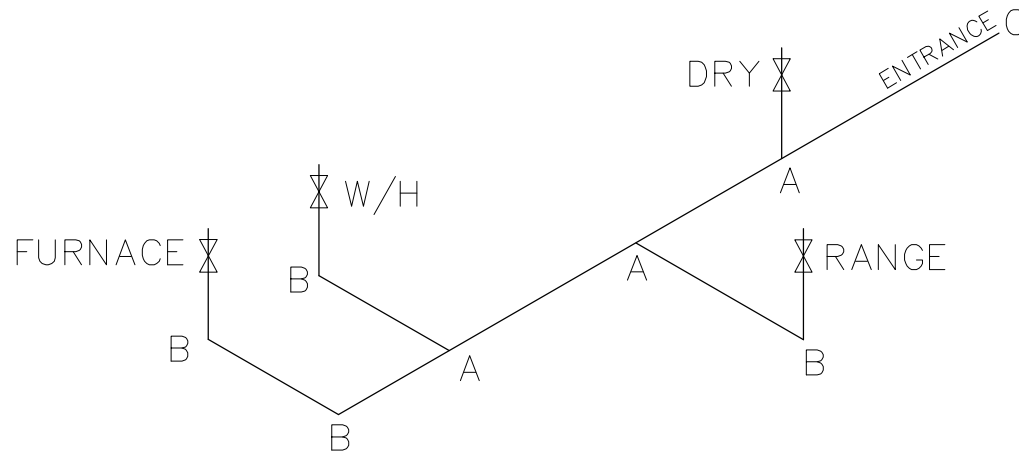
CMH MANUFACTURING Product Designer: BF	Model #: YES 16763A Date: 7/17/20 Scale: N/A	Drawing #: 525009
	16' X 76' TRINITY	
FLOOR PLAN		

REV:9/7/2022 8:38 AM



LEGEND		APPLIANCE BTU'S RATINGS MAX. INPUT	
SYM	FITTINGS		
A	TEE	FURNACE	65,000 BTU'S
B	90 ELL	W/H	37,000 BTU'S
X	VALVE	RANGE	52,000 BTU'S
C	CAP	DRYER	22,000 BTU'S

MDL=17'



NOTES:

- 1) ALL PIPE IS 3/4" I.D.CAST (EXCEPT WHERE NOTED OTHERWISE)
- 2) MDL=MAX. DETERMINED LENGTH OF PIPE
- 3) FITTING MAY BE ADDED OR SUBTRACTED TO TRAVERSE VARIATIONS IN AXLE QUANTITY, PLACEMENT, AND FRAME TYPE.
- 4) INLET LOCATION MAY VARY TO STAY WITHIN MAX. DETERMINED LENGTH

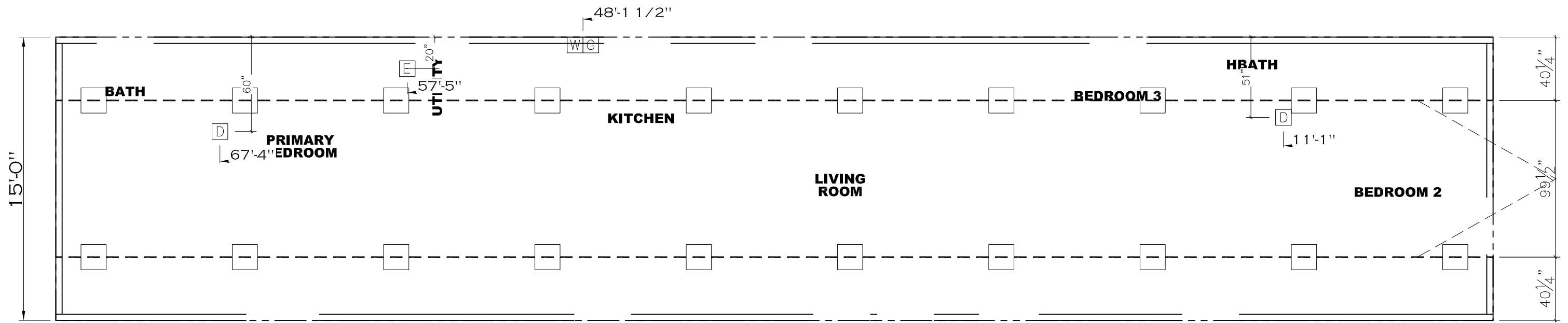
APPROVED **HWC** **APPROVED**
 29 JUL 2020
 FP-16-2935
 Federal Manufactured
 Home Construction
 And Safety Standards

GAS LINE SIZE CHART	
	= 1"
	= 3/4"

1140 SQFT SQ.FT. (STD PLAN "CONDITIONED")

CMH MANUFACTURING	Model #: YES16763A Date: 7/17/20 Scale: N/A	Drawing #: 525009
Product Designer: BF	16' X 76' TRINITY	
GAS LINE DIAGRAM		

REV:-7/29/2020 3:45 PM



SERVICE DROP LEGEND

- E = ELECTRICAL DROP
- W = WATER INLET
- D = DWV PLUMBING DROP
- G = GAS INLET

1140 SQ.FT. (STD PLAN "CONDITIONED")
 N/A SQ.FT. (W/OPT. PORCH/RECESS "CONDITIONED")

CMH MANUFACTURING	Model #: FPC16763A	Drawing #:
	Date: 6.10.20	Scale: N.T.S. 525009
Product Designer: BF		16' x 76' Trinity