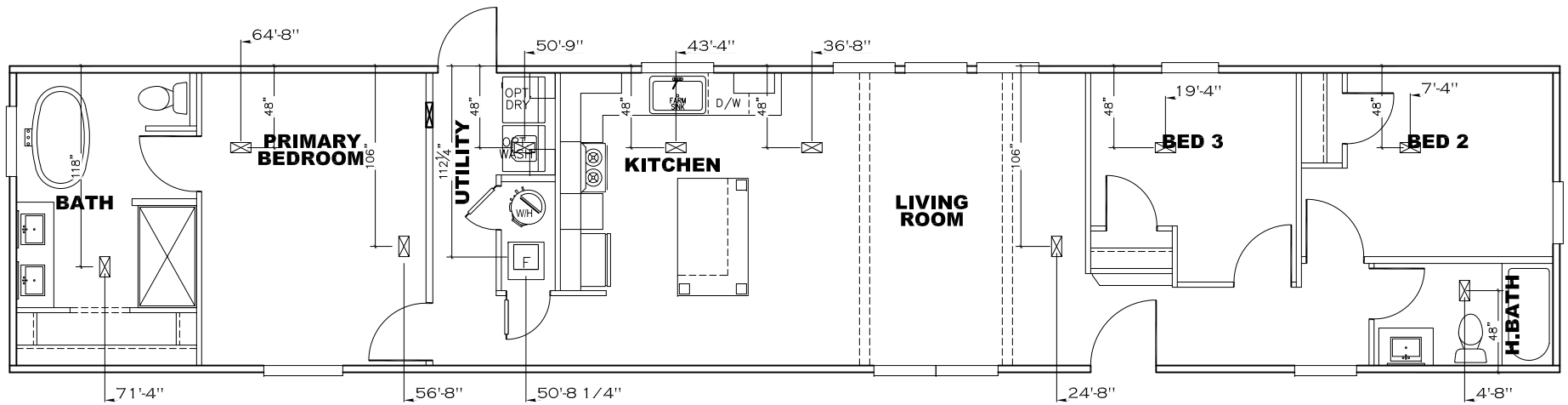


1,140 SQ.FT. (STD PLAN "CONDITIONED")

REV:-7/6/2023 6:31 PM

CMH MANUFACTURING	Model #: NXT16763A	Drawing #:
	Date: 6.6.23	Scale: N.T.S.
Product Designer: BF		16' x 76' NXT
ELEVATION		

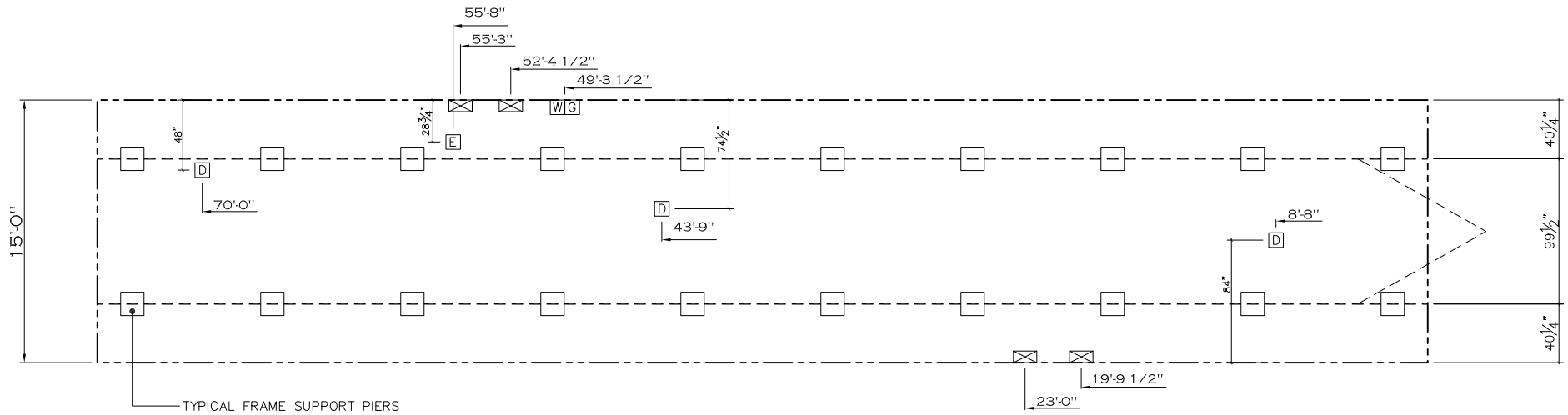


1,140 SQ.FT. (STD PLAN "CONDITIONED")

CMH MANUFACTURING	Model #: NXT 16763A	Drawing #:
	Date: 6.6.23	Scale: N.T.S. 525019
Product Designer: BF	16' x 76' NXT	
OVJX		

20 lb ROOF LOAD SIDEWALL OPENING PIER LOAD 16' BOX WIDTH	SIDEWALL OPENING (FT) REQUIRED PIER LOAD (LBS)					
	3	4	5	6	8	10
	1244	1413	1581	1750	2088	2425

*FOR 30 lb & 40 lb ROOF LOAD REFER TO TABLES 7 & 7a IN THE INSTALLATION MANUAL.



NOTES:

- REFER TO TABLES 6 AND 6a IN THE INSTALLATION MANUAL FOR LOAD ON FRAME PIER FOOTINGS FOR HOMES THAT DO NOT REQUIRE PERIMETER BLOCKING. REFER TO TABLES 7 AND 7a IN THE INSTALLATION MANUAL FOR LOAD ON FRAME PIER FOOTINGS FOR HOMES THAT REQUIRE PERIMETER BLOCKING. REFER TO TABLES 10 AND 10a TO DETERMINE FOOTING SIZE FOR ALL PIERS.
- REFER TO TABLE 9 FOR PIER CONFIGURATION AND MAXIMUM ALLOWABLE HEIGHTS. CROSS REFERENCE THE PIER HEIGHT WITH THE MAXIMUM ALLOWABLE FLOOR HEIGHT LISTED IN THE FRAME TIEDOWN CHARTS (TABLE 18, 19, AND 20).
- THE MAXIMUM SPACING FOR 8" I-BEAMS IS 8 FEET, 10" & 12" I-BEAMS IS 10 FEET.
- SERVICE DROP LOCATIONS IDENTIFIED ARE APPROXIMATE.
- FLOOR WIDTH SHOWN IS FOR STANDARD PRODUCT ONLY. CONTACT THE MFG FACILITY FOR SPECIFICATIONS OF OPTIONS ORDERED.

SERVICE DROP LEGEND	
	= ELECTRICAL DROP
	= WATER INLET
	= DWV PLUMBING DROP
	= GAS INLET

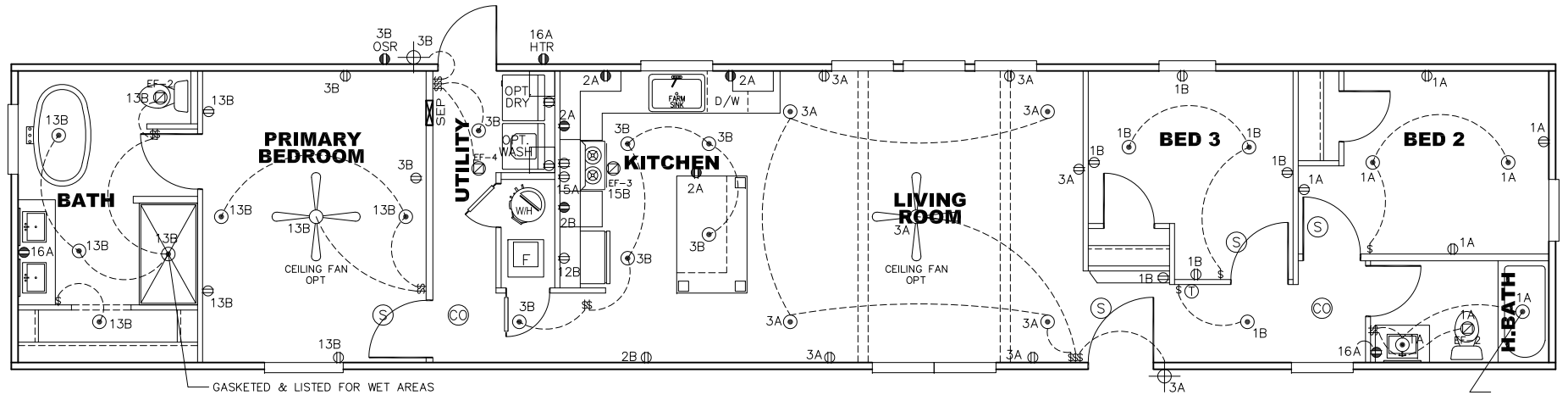
PIER LEGEND	
	= PIER MAIN BEAM
	= PIER PERIMETER
	= PIER PORCH/RECESSED ENTRY

1,140 SQ.FT. (STD PLAN "CONDITIONED")

CMH MANUFACTURING	Model #: NXT16763A	Drawing #:
	Date: 6.6.23	Scale: N.T.S.
Product Designer: BF	16' x 76' NXT	
SERVICE		

NOTES:

- ALL CIRCUITS SHOWN ARE FOR REFERENCE AND MAY BE CHANGED BASED ON OPTIONAL COMPONENTS INSTALLED IN THE HOME.
- REFER TO DAPIA MANUAL FOR SYMBOL CHART.
- EITHER LIGHT OR RECEPTACLE MUST CONNECT TO SWITCH.
- EF-1= 50 CFM EXHAUST FAN REQUIRED FOR THERMAL ZONE III THERMAL ZONES I & II MAY USE FAN OR WINDOW W/1.5 SQ. FT. OPENABLE GLASS.
- EF-2= 50 CFM EXHAUST FAN REQUIRED THERMAL ZONE I, II, AND III.
- EF-3= 100 CFM RANGE EXHAUST FAN, SWITCH AT HOOD.
- EF-4= WHOLE HOUSE VENTILATION REQUIREMENTS PER DAPIA MANUAL.
- REFER TO DAPIA MANUAL OR THE MFG. INSTALLATION INSTRUCTIONS FOR PROPER WIRE SIZE AND BREAKER SIZE FOR SPECIFIC APPLIANCE AND MODEL BEING INSTALLED.
- ALL SMOKE ALARMS TO BE LOCATED ON THE CEILING.
- CARBON MONOXIDE ALARMS ARE ONLY REQUIRED WHEN HOME HAS EITHER FUEL BURNING APPLIANCES, IS GARAGE READY OR IS BASEMENT READY. REFERENCE DAPIA MANUAL FOR ADDITIONAL INFORMATION.
- DIMENSIONS SHOWN ON PRINT ARE APPROXIMATE AND TO BE USED ONLY AS A GUIDELINE.



GASKETED & LISTED FOR WET AREAS

GASKETED & LISTED FOR WET AREAS

APPROVED **IWGC** **APPROVED**
 10 JULY 2023
 Federal Manufactured Home Construction And Safety Standards

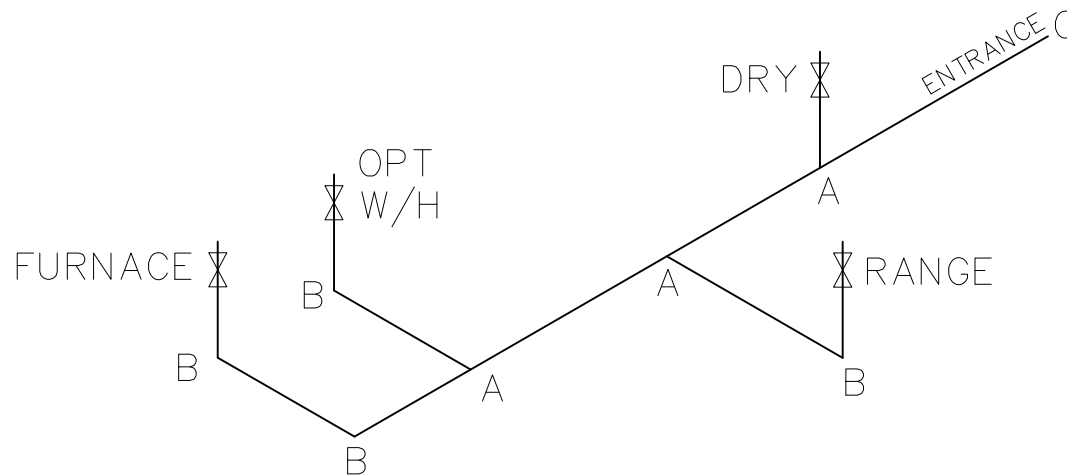
1,140 SQ.FT. (STD PLAN "CONDITIONED")

CIRCUIT	CIRCUIT #	WIRE	BREAKER	CIRCUIT	CIRCUIT #	WIRE	BREAKER	CIRCUIT	CIRCUIT #	WIRE	BREAKER
LIGHT/RECEP	1A,1B,3A,3B	14-2	15-SP	DRYER	5A,7B	SEE NOTE	#8	BATHROOM	16A	12-2	20-SP
LIGHT/RECEP	13B,14A,14B	14-2	15-SP	WATER HEATER	4A,6B	SEE NOTE	#8	OPT G/DISP	9B	SEE NOTE	#8
KITCHEN	2A,2B	12-2	20-SP	RANGE	5B,7A	SEE NOTE	#8	OPT SPA/WP/JAC	11A,B	SEE NOTE	#8
WASHER	12A	12-2	20-SP	FURNACE	6A,8A,B,10A,B	SEE NOTE	#8	FREEZER	13A	SEE NOTE	#8
RANG HOOD / MICROWAVE	15B	SEE NOTE	#8	OPT D/WASH	9A	SEE NOTE	#8	OPT ELEC. FIREPLACE	16B	SEE NOTE	#8
OPT. GAS RANG	15A	SEE NOTE	#8	SMOKE/CO DECT	4B	SEE NOTE	#8				
				REFER	12B	SEE NOTE	#8				

CMH MANUFACTURING	Model #:NXT1G763A	Drawing #:
	Date:6.6.23 Scale: N.T.S.	525019
Product Designer: BF		16' x 76' NXT
ELECTRICAL PRINT-06		

LEGEND		APPLIANCE BTU'S RATINGS MAX. INPUT	
SYM	FITTINGS		
A	TEE	FURNACE	65,000 BTU'S
B	90 ELL	W/H	37,000 BTU'S
X	VALVE	RANGE	52,000 BTU'S
C	CAP	DRYER	22,000 BTU'S

MDL=17'



NOTES:

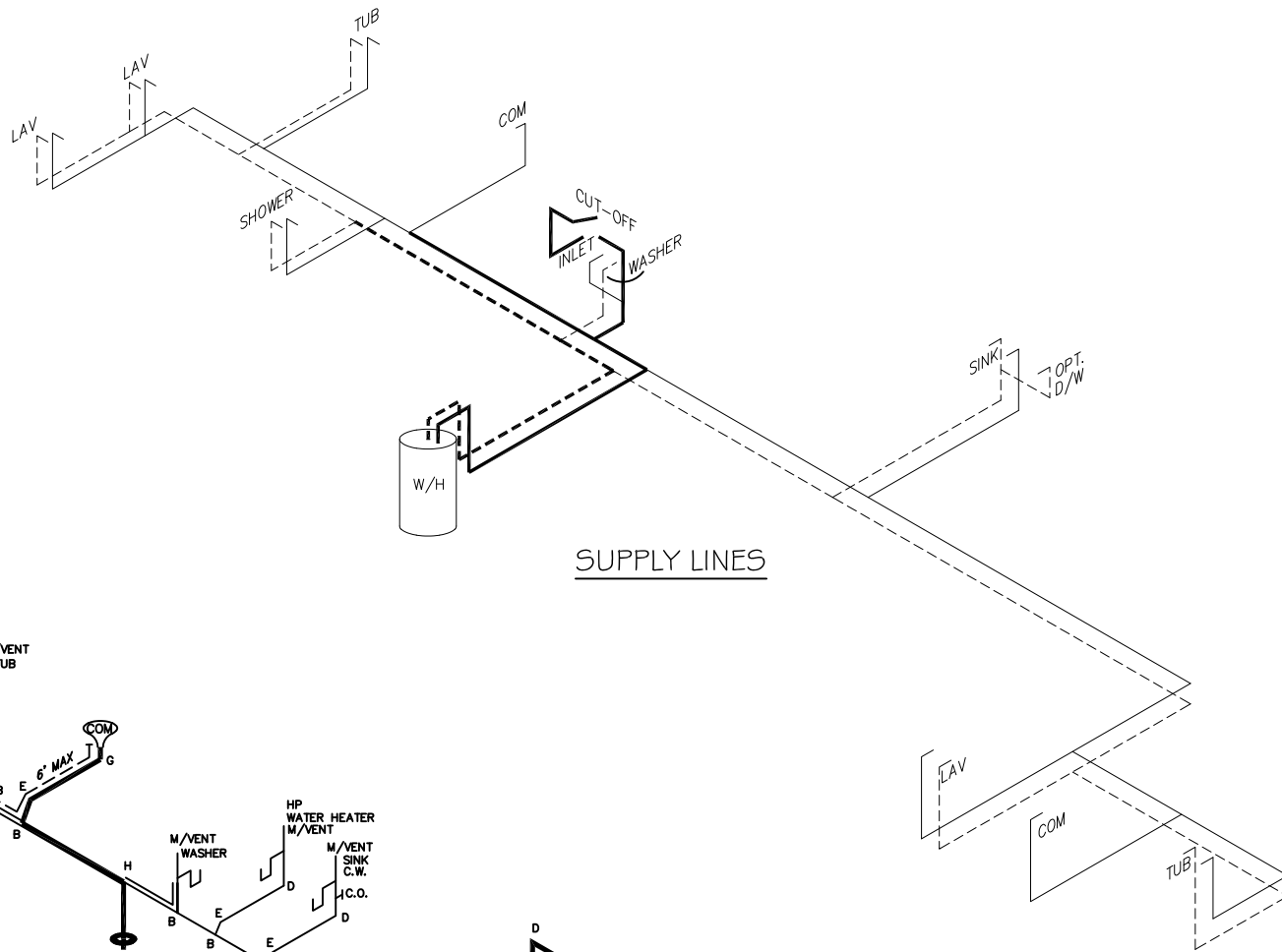
- 1) ALL PIPE IS 3/4" I.D.CAST (EXCEPT WHERE NOTED OTHERWISE)
- 2) MDL=MAX. DETERMINED LENGTH OF PIPE
- 3) FITTING MAY BE ADDED OR SUBTRACTED TO TRAVERSE VARIATIONS IN AXLE QUANTITY, PLACEMENT, AND FRAME TYPE.
- 4) INLET LOCATION MAY VARY TO STAY WITHIN MAX. DETERMINED LENGTH

APPROVED
HWG
APPROVED
 10 JULY 2023
 Federal Manufactured
 Home Construction
 And Safety Standards

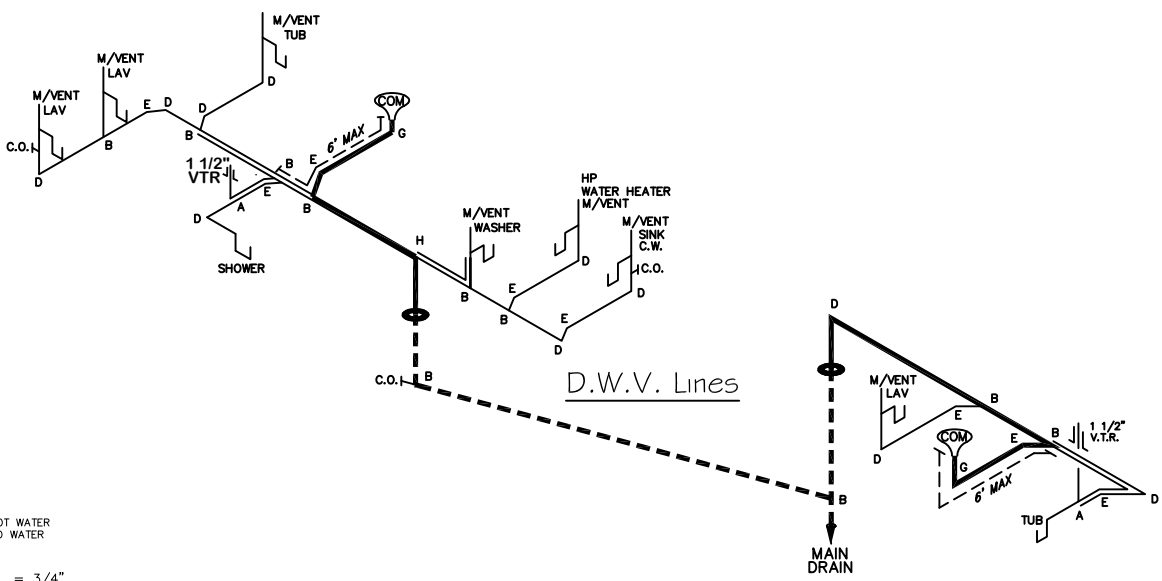
GAS LINE SIZE CHART	
	= 1"
	= 3/4"

1,140 SQ.FT. (STD PLAN "CONDITIONED")

CMH MANUFACTURING	Model #: NXT16763A	Drawing #:
	Date: 6.6.23	Scale: N.T.S.
Product Designer: BF		16' x 76' NXT
GAS LINES		



SUPPLY LINES



D.W.V. Lines

NOTE:
DASHED LINES INDICATE HOT WATER
SOLID LINES INDICATE COLD WATER

———— = 3/4"
———— = 1/2"

LEGEND	
A	SHORT TURN T-Y
B	LONG TURN T-Y
C	1/4 BEND
D	LONG SWEEP 1/4 BEND
E	45 ELL
F	DBL. SANITARY TEE
G	4x3 CLOSET ELL
H	DOUBLE ELL
I	22 1/2° ELL
J	45° Y
K	LONG TURN STREET ELBOW
L	45 FTG ELL

DWV LINE SIZE CHART	
————	= 3"
————	= 2"
————	= 1 1/2"

APPROVED **HWG** **APPROVED**
10 JULY 2023
Federal Manufactured Home Construction And Safety Standards

1,140 SQ.FT. (STD PLAN "CONDITIONED")

CMH MANUFACTURING Product Designer: BF	Model #: NXT16763A	Drawing #:
	Date: 6.6.23 Scale: N.T.S.	525019
16' x 76' NXT		
DWV and SUPPLY		