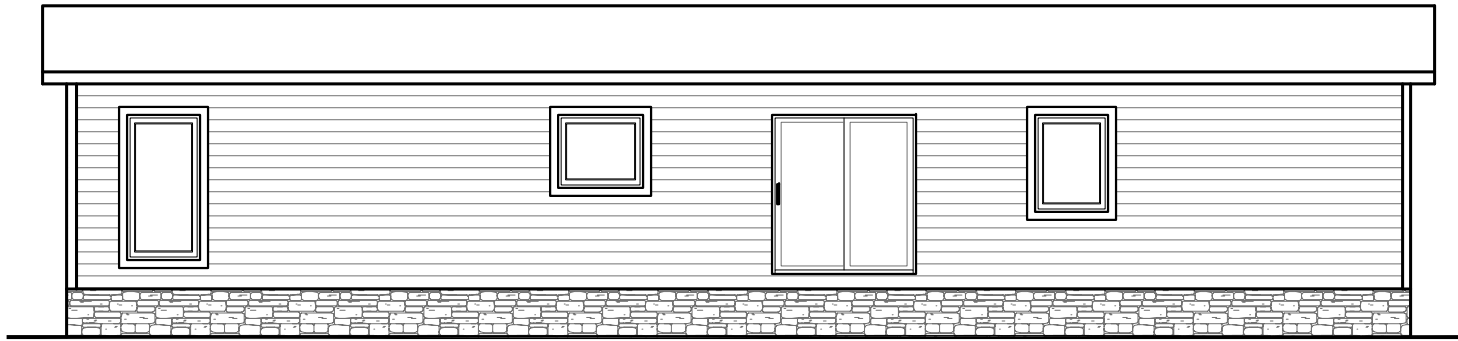
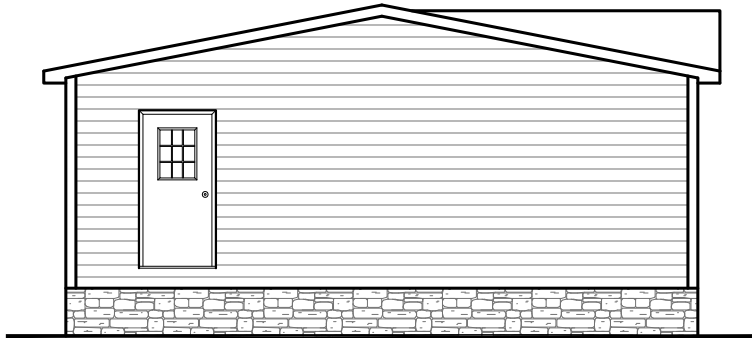


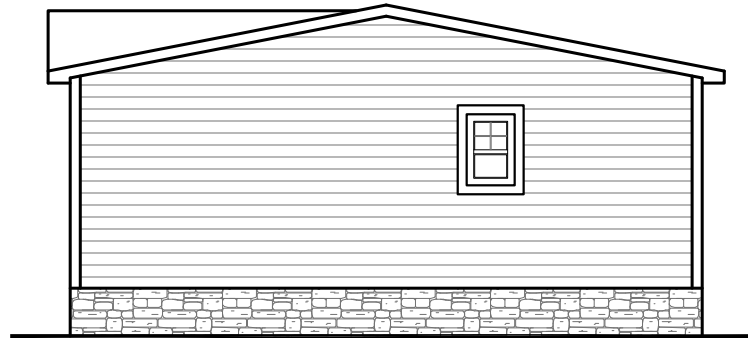
MODEL #NXI28563A
DRAWING # 52M021
28' x 56' EMILIE



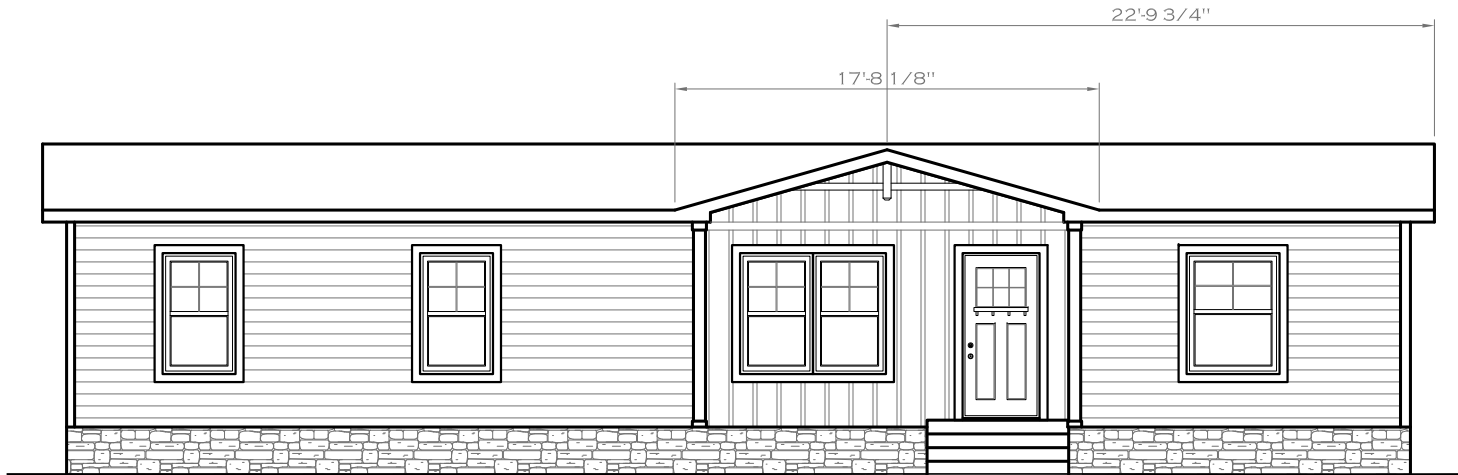
REAR ELEVATION



LEFT SIDE ELEVATION



RIGHT SIDE ELEVATION



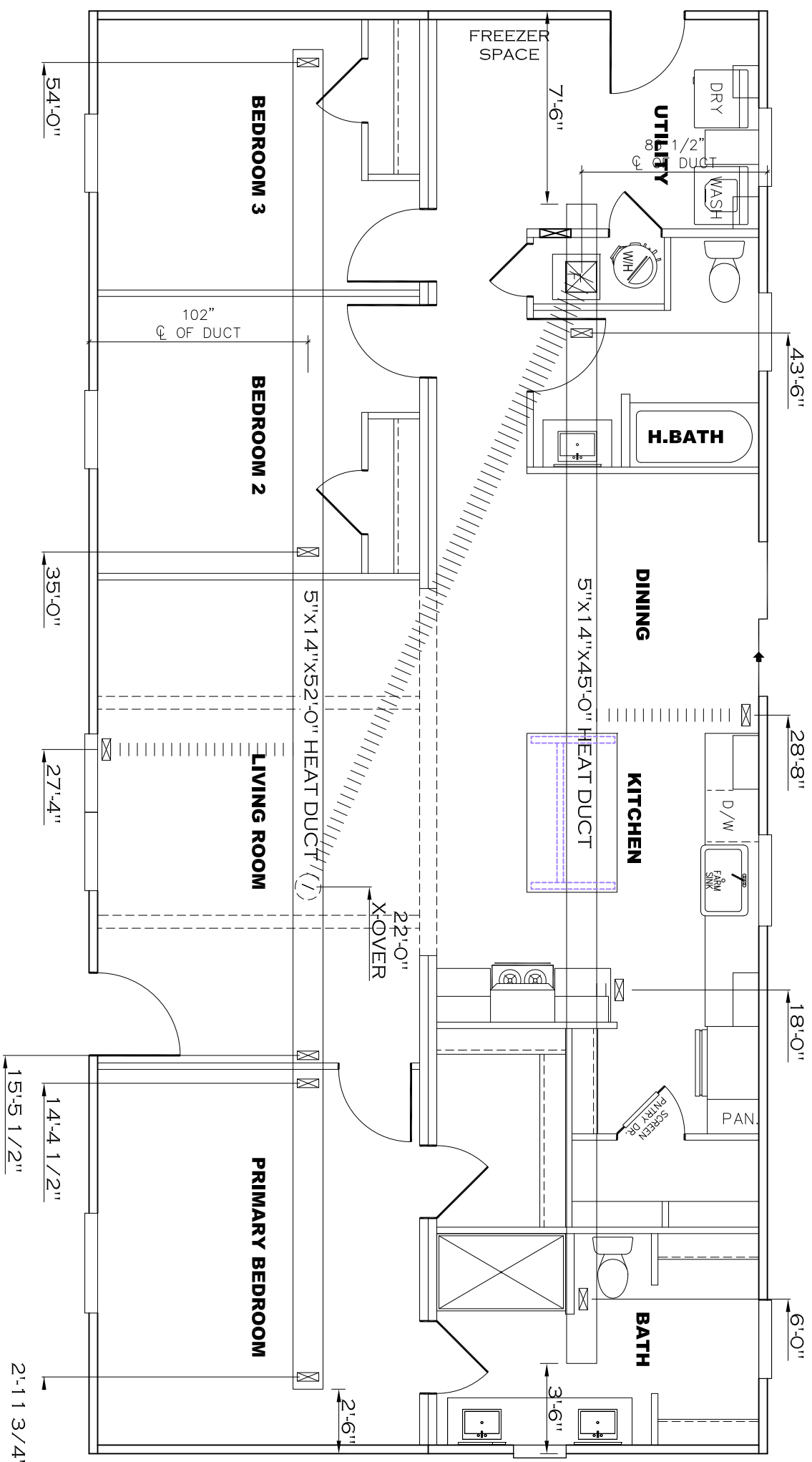
FRONT ELEVATION

1,474 SQ.FT. (STD PLAN "CONDITIONED")
N/A SQ.FT. (W/OPT. PORCH/RECESS "CONDITIONED")

CMH MANUFACTURING	Model #: NX128563A	Drawing #:
	Date: 5.22.23	Scale: N.T.S. 52MO21
Product Designer: FrenchB		28' x 56' Emilie

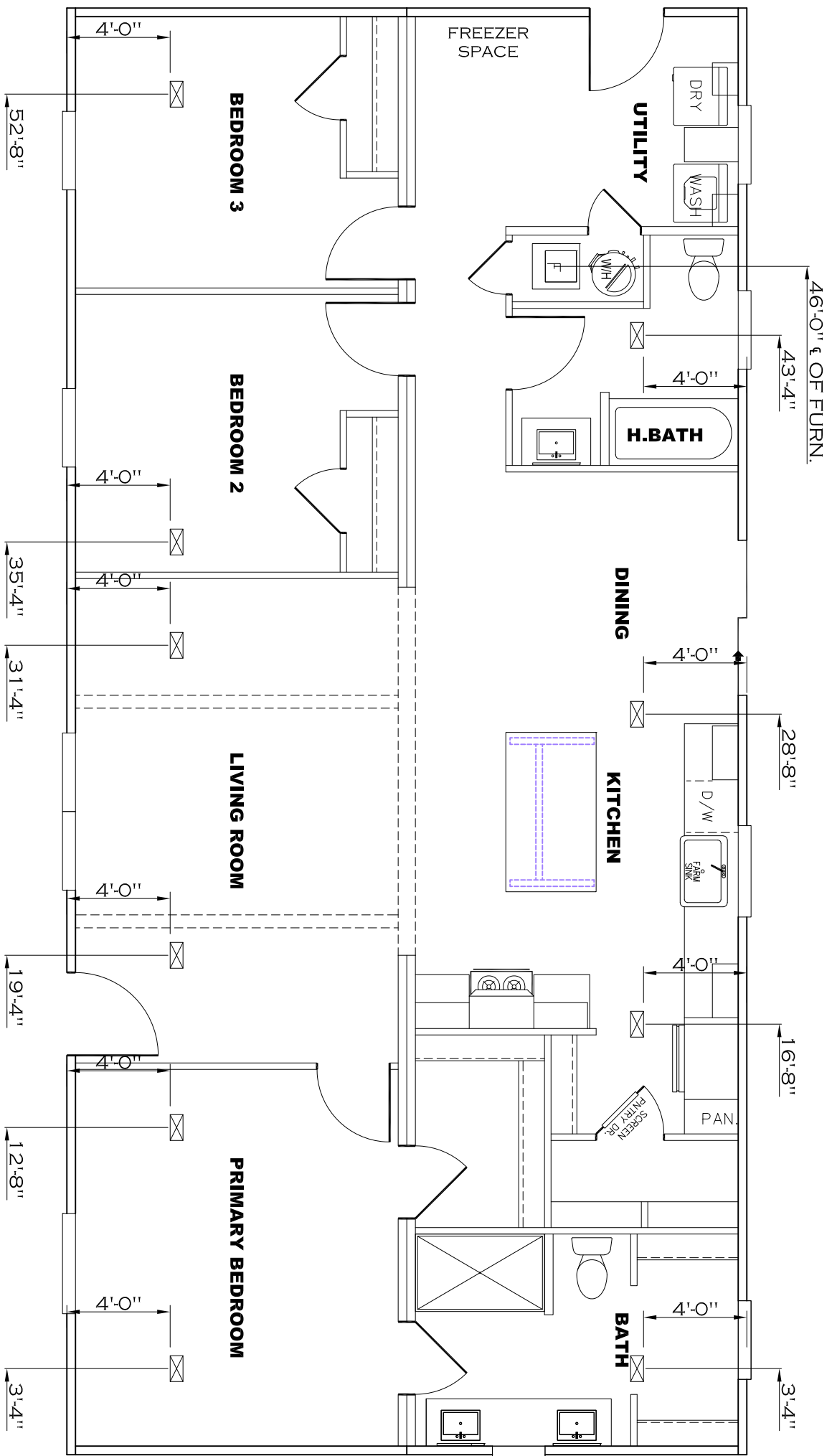
REV. - 5/22/2023, 3:24 PM

ELEVATION



REV. - 5/22/2023, 3:01 PM

Product Designer: FenchB		1,474 SQ.FT. (STD PLAN "CONDITIONED")	
CMH	MANUFACTURING	N/A SQ.FT. (W/OPT. PORCH/RECESS "CONDITIONED")	
Model # NK129563A	Date: 5/22/23	Scale: N.T.S.	Drawing #:
28' x 56' Enfile	52M021		
HEAT DUCT			



REV. - 5/31/2023, 2:18 PM

1,474 SQ.FT. (STD PLAN "CONDITIONED")
 N/A SQ.FT. (W/OPT. PORCH/RECESS "CONDITIONED")

CMH
 MANUFACTURING

Product Designer: JDC

Model #: NX129563A
 Date: 5/28/18 | Scale: N.T.S. | Drawing #: 52M02.1

OVERHEAD DUCT SYSTEM

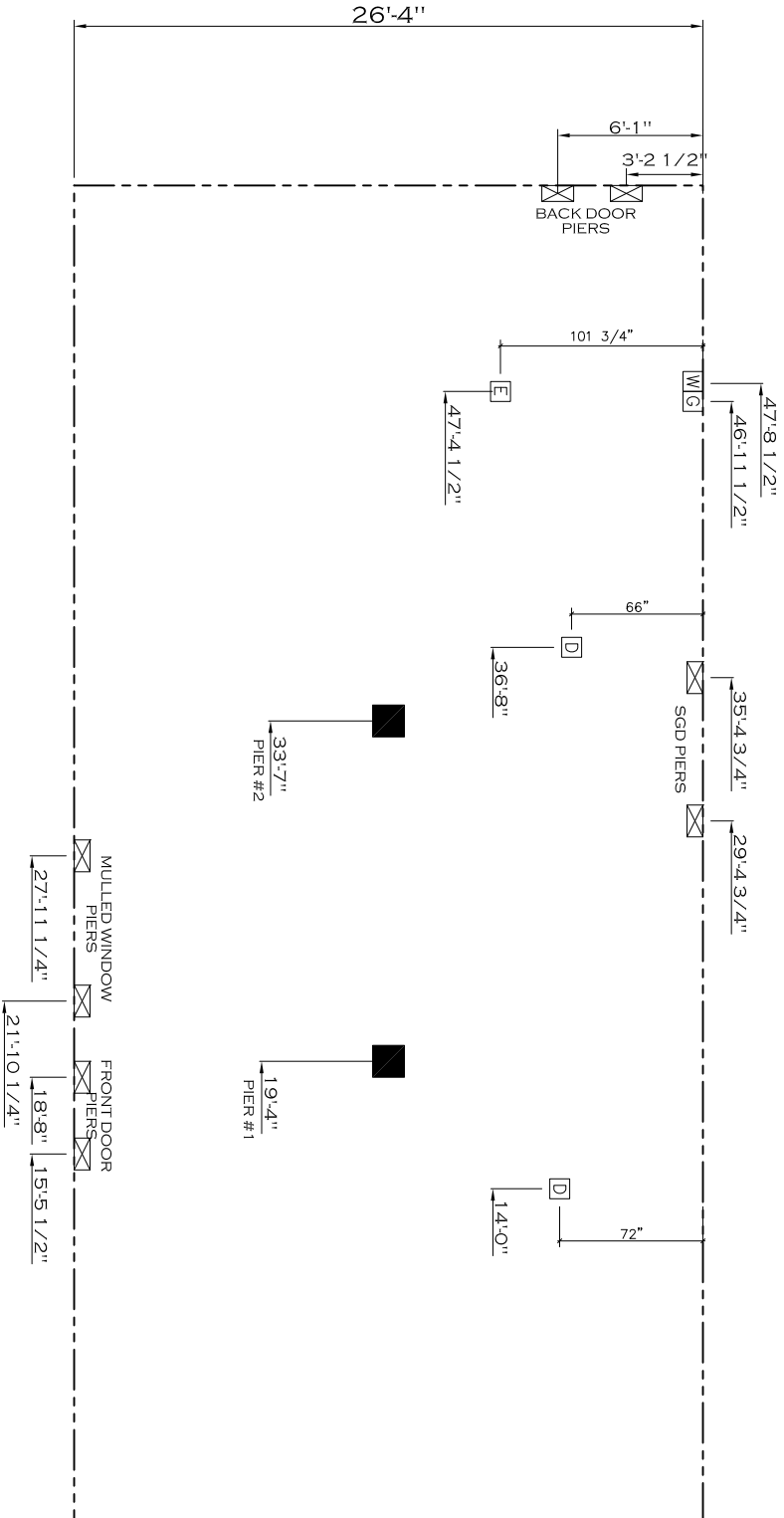
20 lb ROOF LOAD	SIDEWALL OPENING (FT)					
SIDEWALL OPENING PIER LOAD	3	4	5	6	8	10
10' BOX WIDTH	1025	1150	1275	1400	1650	1900

*FOR 30 lb & 40 lb ROOF LOAD REFER TO TABLES 7 & 7a IN THE INSTALLATION MANUAL.

20 psf Roof Live Load				
Column Pier #	Distance from Hitch Feet	Inches	Pier Load (lbs)	
1	19	4	3214	
2	33	7	3214	

30 psf Roof Live Load			
Column Pier #	Distance from Hitch	Pier Load (lbs)	
1	19.333	5206	
2	33.583	5206	

40 psf Roof Live Load			
Column Pier #	Distance from Hitch	Pier Load (lbs)	
1	19.333	6407	
2	33.583	6407	



GENERAL NOTES:

- PIER LOADS SHOWN ARE TO BE USED TO SIZE THE FOOTINGS BELOW THE MARRIAGEWALL FOR COLUMN SUPPORT PIERS. REFER TO TABLES 6b AND 6c IN THE INSTALLATION MANUAL FOR LOAD ON FRAME PIER FOOTINGS. FOR HOMES THAT DO NOT REQUIRE PERIMETER BLOCKING, REFER TO TABLES 7b AND 7c IN THE INSTALLATION MANUAL FOR LOAD ON FRAME PIER FOOTINGS THAT REQUIRE PERIMETER BLOCKING. REFER TO TABLES 10 AND 10a TO DETERMINE FOOTING SIZE FOR ALL PIERS.
- REFER TO TABLE 9 FOR PIER CONFIGURATION AND MAXIMUM ALLOWABLE HEIGHTS. CROSS REFERENCE THE PIER HEIGHT WITH THE MAXIMUM ALLOWABLE FLOOR HEIGHT LISTED IN THE FRAME TIEDOWN CHARTS (TABLE 18, 19, AND 20).
- FLOOR WIDTH SHOWN IS FOR STANDARD PRODUCT ONLY. CONTACT THE MFG PLANT FOR SPECIFICATIONS OF OPTIONS ORDERED.
- SERVICE DROP LOCATIONS IDENTIFIED ARE APPROXIMATE. THE MAXIMUM SPACING FOR FRAME SUPPORT PIERS FOR 8" I-BEAMS IS 8 FEET, 10" & 12" I-BEAMS ARE 10 FEET.

PIER LEGEND	
<input type="checkbox"/>	SUPPORT UNDER MATING OPENING
<input type="checkbox"/>	SUPPORT AT MATING COLUMN
<input checked="" type="checkbox"/>	SUPPORT UNDER MATING WALL
<input checked="" type="checkbox"/>	PIER PORCH/RECESSED ENTRY
<input type="checkbox"/>	PIER MAIN BEAM
<input checked="" type="checkbox"/>	PIER PERIMETER
<input checked="" type="checkbox"/>	TI-E-DOWN SUPPORT (QTY PER TRM M. SEE DETAIL D-6 IN FOUND. PKG.)

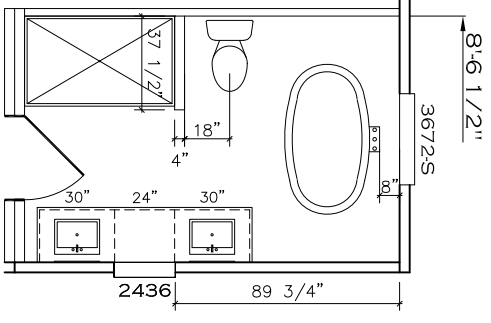
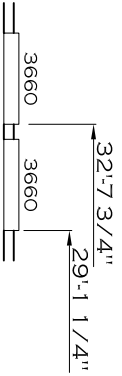
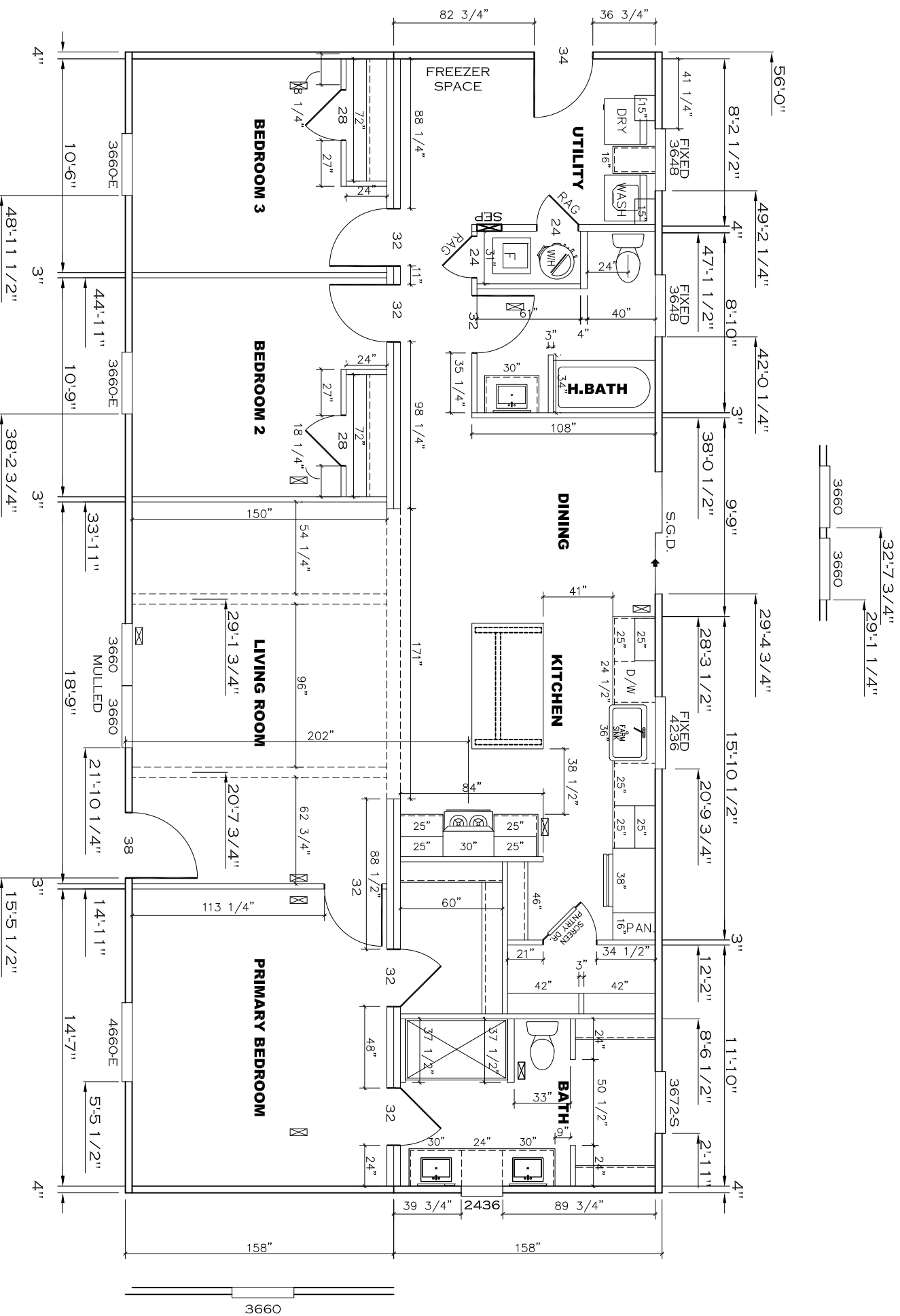
SERVICE DROP LEGEND	
<input type="checkbox"/>	ELECTRICAL DROP
<input type="checkbox"/>	WATER INLET
<input type="checkbox"/>	DWV PLUMBING DROP
<input type="checkbox"/>	GAS INLET

REV. - 5/22/2023, 3:53 PM

1,474 SQ.FT. (STD PLAN "CONDITIONED")
N/A SQ.FT. (W/OPT. PORCH/RECESS "CONDITIONED")

Product Designer: FrenchieB	Model #: NK129563A	Drawing #:
MANUFACTURING	Date: 5.22.23	Scale: N.T.S.
CMH	28' x 56' Emille	52M021

PIER LOADS



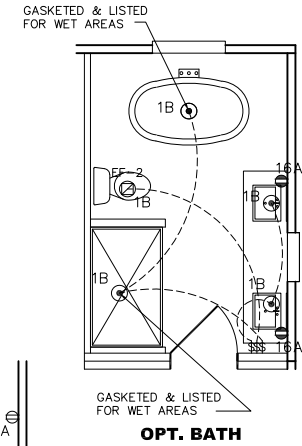
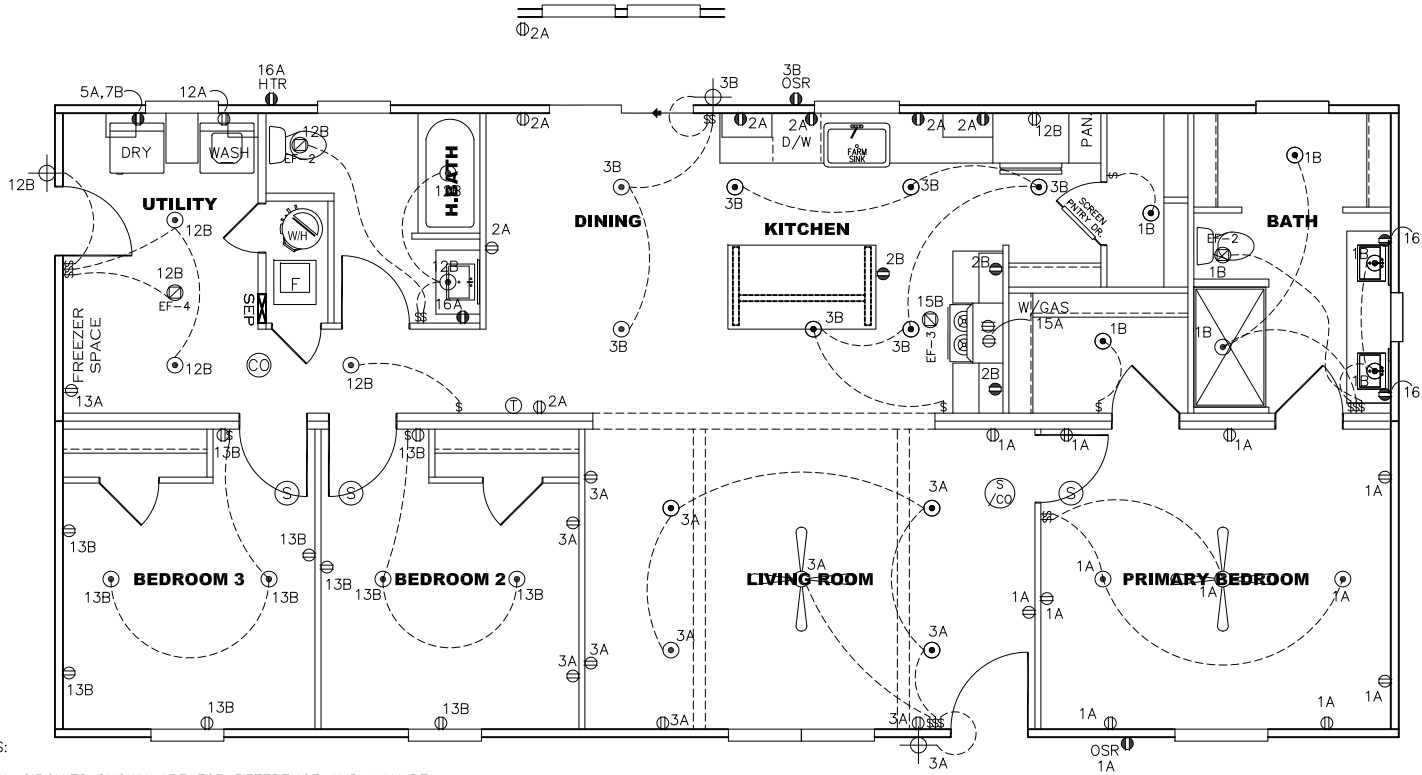
REV. - 6/6/2023, 2:26 PM

Product Designer: FrenchieB		Drawing #:	
MANUFACTURING		52M021	
Model # NK129563A		Scale: N.T.S.	
Date: 5.22.23		28' x 56' Enfile	

1,474 SQ.FT. (STD PLAN "CONDITIONED")
 N/A SQ.FT. (W/OPT. PORCH/RECESS "CONDITIONED")

Floor Plan

CIRCUIT	CIRCUIT #	WIRE	BREAKER	CIRCUIT	CIRCUIT #	WIRE	BREAKER	CIRCUIT	CIRCUIT #	WIRE	BREAKER
LIGHT/RECEP	1A,1B,3A,3B	14-2	15-SP	DRYER	5A,7B	SEE NOTE #8		BATHROOM	16A	12-2	20-SP
LIGHT/RECEP	12B,13B,14A,14B	14-2	15-SP	WATER HEATER	4A,6B	SEE NOTE #8		OPT G/DISP	9B	SEE NOTE #8	
KITCHEN	2A,2B	12-2	20-SP	RANGE	5B,7A	SEE NOTE #8		OPT SPA/WP/JAC	11A,B	SEE NOTE #8	
WASHER	12A	12-2	20-SP	FURNACE	6A,8A,B,10A,B	SEE NOTE #8		FREEZER	13A	SEE NOTE #8	
RANG HOOD/MICROWAVE	15B	SEE NOTE #8		OPT D/WASH	9A	SEE NOTE #8		OPT ELEC FIREPLACE	16B	SEE NOTE #8	
OPT. GAS RANG	15A	SEE NOTE #8		SMOKE/CO DECT	4B	SEE NOTE #8					
				REFER	12B	SEE NOTE #8					



NOTES:

- ALL CIRCUITS SHOWN ARE FOR REFERENCE AND MAY BE CHANGED BASED ON OPTIONAL COMPONENTS INSTALLED IN THE HOME.
- REFER TO DAPIA MANUAL FOR SYMBOL CHART.
- EITHER LIGHT OR RECEPTACLE MUST CONNECT TO SWITCH.
- EF-1= 50 CFM EXHAUST FAN REQUIRED FOR THERMAL ZONE III THERMAL ZONES I & II MAY USE FAN OR WINDOW W/1.5 SQ. FT. OPENABLE GLASS.
- EF-2= 50 CFM EXHAUST FAN REQUIRED THERMAL ZONE I, II, AND III.
- EF-3= 100 CFM RANGE EXHAUST FAN, SWITCH AT HOOD.
- EF-4= WHOLE HOUSE VENTILATION REQUIREMENTS PER DAPIA MANUAL.
- REFER TO DAPIA MANUAL OR THE MFG. INSTALLATION INSTRUCTIONS FOR PROPER WIRE SIZE AND BREAKER SIZE FOR SPECIFIC APPLIANCE AND MODEL BEING INSTALLED.
- ALL SMOKE ALARMS TO BE LOCATED ON THE CEILING.
- CARBON MONOXIDE ALARMS ARE ONLY REQUIRED WHEN HOME HAS EITHER FUEL BURNING APPLIANCES, IS GARAGE READY OR IS BASEMENT READY. REFERENCE DAPIA MANUAL FOR ADDITIONAL INFORMATION.
- DIMENSIONS SHOWN ON PRINT ARE APPROXIMATE AND TO BE USED ONLY AS A GUIDELINE.

APPROVED **HWC** **APPROVED**
 14 JUN 2023
 Federal Manufactured
 Home Construction
 And Safety Standards

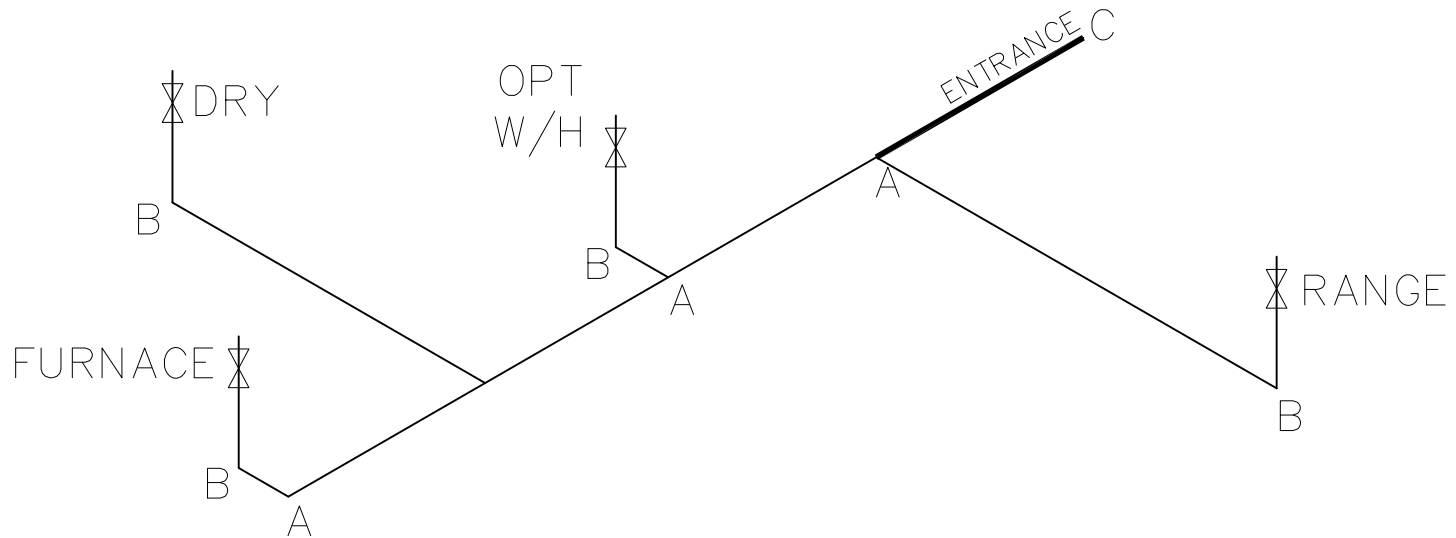
1,474 SQ.FT. (STD PLAN "CONDITIONED")
 N/A SQ.FT. (W/OPT. PORCH/RECESS "CONDITIONED")

CMH MANUFACTURING	Model #: NX128563A	Drawing #:
	Date: 5.22.23	Scale: N.T.S. 52MO2 I
Product Designer: FrenchB		28' x 56' Emile

ELECTRICAL PLAN

LEGEND		APPLIANCE BTU'S RATINGS MAX. INPUT	
SYM	FITTINGS		
A	TEE	FURNACE	65,000 BTU'S
B	90 ELL	W/H	37,000 BTU'S
X	VALVE	RANGE	52,000 BTU'S
C	CAP	DRYER	22,000 BTU'S

MDL=25'



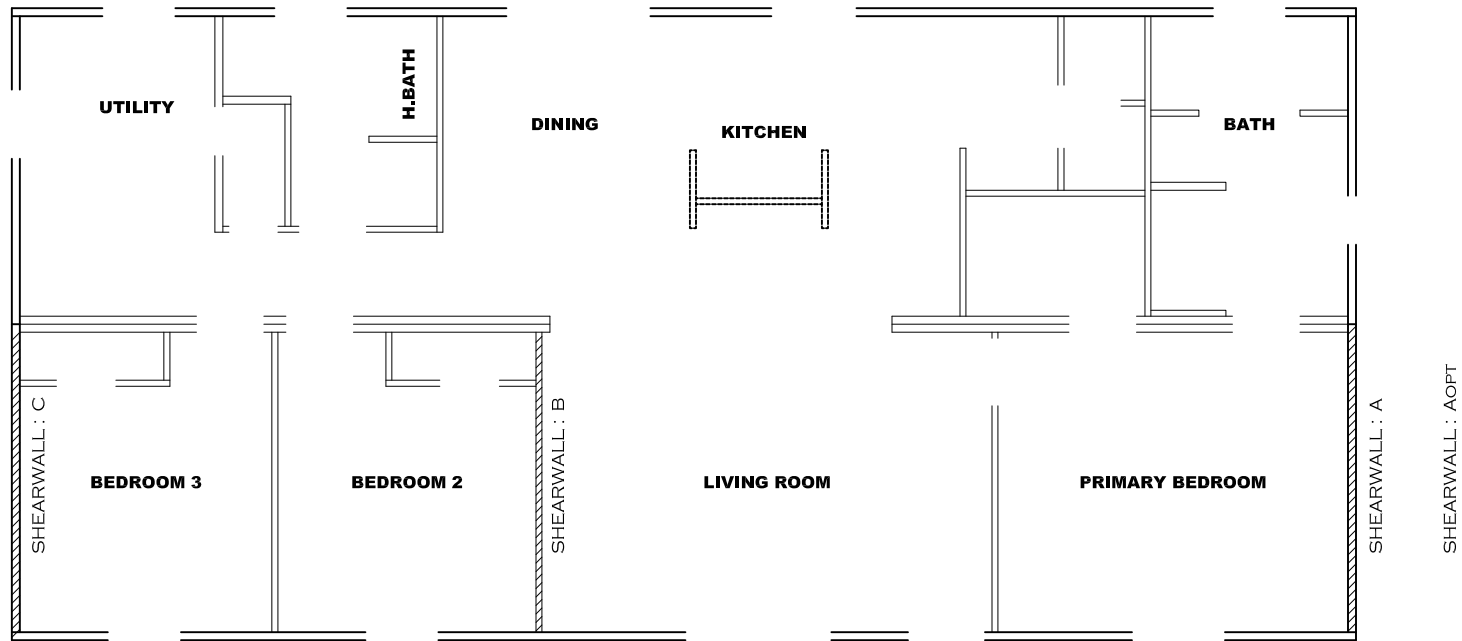
NOTES:

- 1) ALL PIPE IS 3/4" I.D. CAST (EXCEPT WHERE NOTED OTHERWISE)
- 2) MDL=MAX. DETERMINED LENGTH OF PIPE
- 3) FITTING MAY BE ADDED OR SUBTRACTED TO TRAVERSE VARIATIONS IN AXLE QUANTITY, PLACEMENT, AND FRAME TYPE.
- 4) INLET LOCATION MAY VARY TO STAY WITHIN MAX. DETERMINED LENGTH

APPROVED
RWG
APPROVED
 14 JUN 2023
 Federal Manufactured
 Home Construction
 And Safety Standards

GAS LINE SIZE CHART	
	= 1"
	= 3/4"

1,474 SQ.FT. (STD PLAN "CONDITIONED")	
N/A SQ.FT. (W/OPT. PORCH/RECESS "CONDITIONED")	
CMH MANUFACTURING	Model #: NX128563A Date: 5.22.23 Scale: N.T.S.
Product Designer: FrenchB	28' x 56' Emile Drawing #: 52MO2 I
GAS LINE DETAIL	



Model # 52m021 Minimum Joist Spacing 16 "
 Box Width = 158 " Double wide No Offset Box
 Box Length = 56 ft. 99.5" 10" MIN.IBEAM No Clerestory
 No Skylights No Origami Dormer
 No Porches No Sunken Floor
 Joist Size = #2 spf 2x6 Lags 9Mx3" No Parapet Roof

Version R13.17

Model # 52m021-OPT Minimum Joist Spacing 16 "
 Box Width = 158 " Double wide No Offset Box
 Box Length = 56 ft. 99.5" 10" MIN.IBEAM No Clerestory
 No Skylights No Origami Dormer
 No Porches No Sunken Floor
 Joist Size = #2 spf 2x6 Lags 9Mx3" No Parapet Roof

Version R13.17

Wind Zone 1 Standard Roof		(197 plf) Chords: 2x4 SPF #3 Top Plate spliced w/ 12" glue block & 1x6 SPF Rail spliced w/ 2x4 MCP.					96 inch sidewall
Shearwall	Dist./ Hitch	Length	PLF	# of Joists	Lags	Notes	
A	0'	128"	162	2	2/1		
C	56'	128"	162	2	2/1		
Wind Zone 2 Standard Roof		(197 plf) Chords: 2x4 SPF #3 Top Plate spliced w/ 12" glue block & 1x6 SPF Rail spliced w/ 2x4 MCP.					96 inch sidewall
Shearwall	Dist./ Hitch	Length	PLF	# of Joists	Lags	Notes	
A	0'	Full	425	2	3/3		
B	34.04'	128"	425	2	4/1		
C	56'	128"	162	2	2/1		
Wind Zone 3 Standard Roof		(197 plf) Chords: 2x4 SPF #3 Top Plate spliced w/ 12" glue block & 1x6 SPF Rail spliced w/ 2x4 MCP.					96 inch sidewall
Shearwall	Dist./ Hitch	Length	PLF	# of Joists	Lags	Notes	
A	0'	Full	425	2	3/3		
B	34.04'	128"	515	2(+1)	5/2		
C	56'	Full	425	2	3/3		

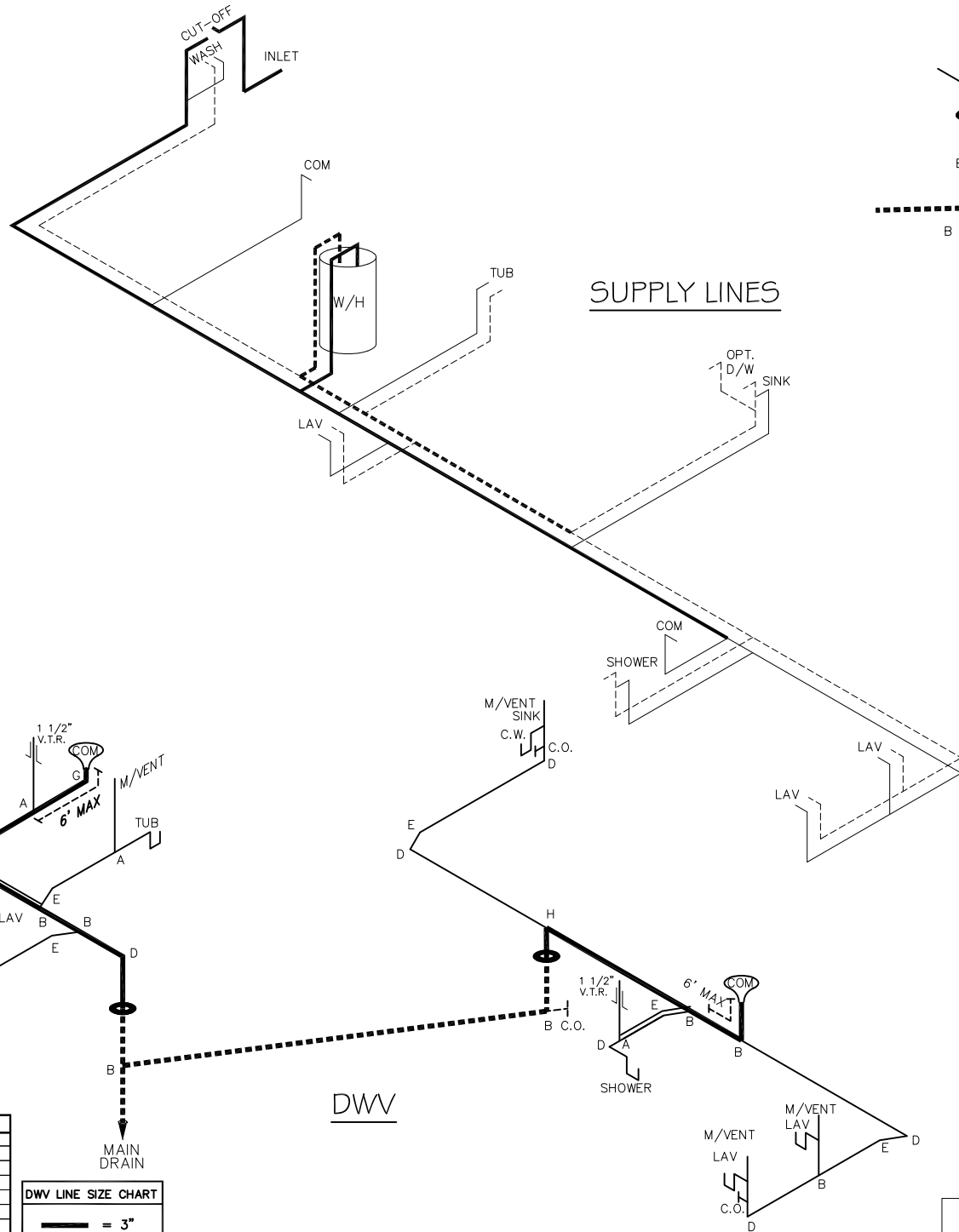
Wind Zone 1 Standard Roof		(197 plf) Chords: 2x4 SPF #3 Top Plate spliced w/ 12" glue block & 1x6 SPF Rail spliced w/ 2x4 MCP.					96 inch sidewall
Shearwall	Dist./ Hitch	Length	PLF	# of Joists	Lags	Notes	SW1/SW2
Aopt	0'	117.5"	425	4	4/4	Split Shearwall	58.75/58.75
C	56'	128"	162	2	2/1		
Wind Zone 2 Standard Roof		(197 plf) Chords: 2x4 SPF #3 Top Plate spliced w/ 12" glue block & 1x6 SPF Rail spliced w/ 2x4 MCP.					96 inch sidewall
Shearwall	Dist./ Hitch	Length	PLF	# of Joists	Lags	Notes	SW1/SW2
Aopt	0'	117.5"	425	4	4/4	Split Shearwall	58.75/58.75
B	34.04'	128"	425	2	4/1		
C	56'	128"	162	2	2/1		
Wind Zone 3 Standard Roof		(197 plf) Chords: 2x4 SPF #3 Top Plate spliced w/ 12" glue block & 1x6 SPF Rail spliced w/ 2x4 MCP.					96 inch sidewall
Shearwall	Dist./ Hitch	Length	PLF	# of Joists	Lags	Notes	SW1/SW2
Aopt	0'	117.5"	425	4	4/4	Split Shearwall	58.75/58.75
B	34.04'	128"	515	2(+1)	5/2		
C	56'	Full	425	2	3/3		

APPROVED **HWC** **APPROVED**
 14 JUN 2023
 Federal Manufactured Home Construction And Safety Standards

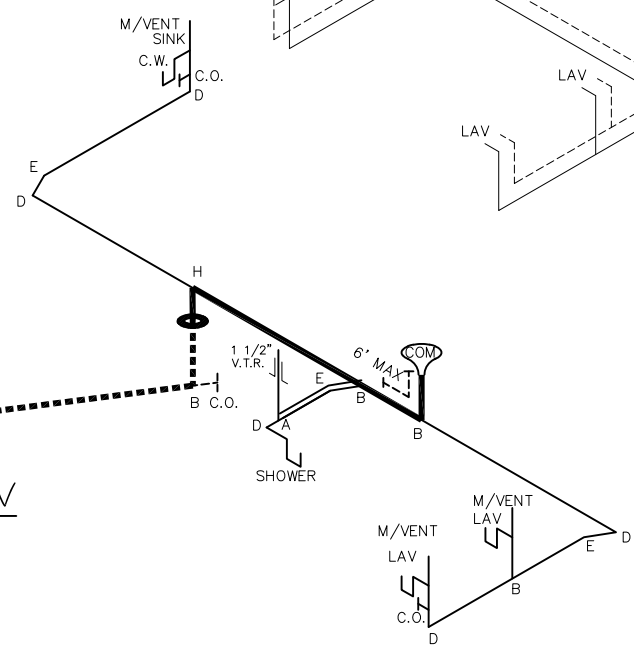
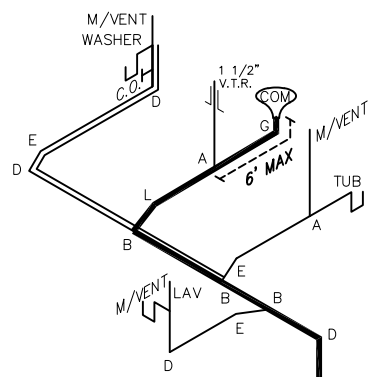
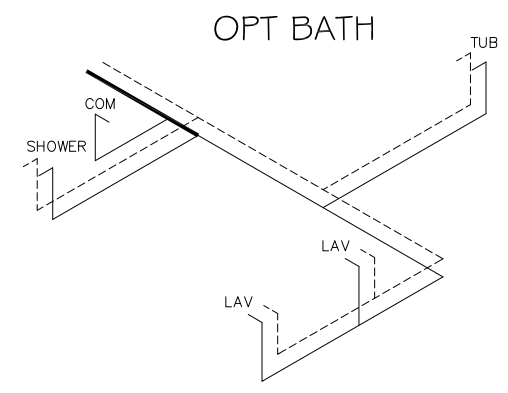
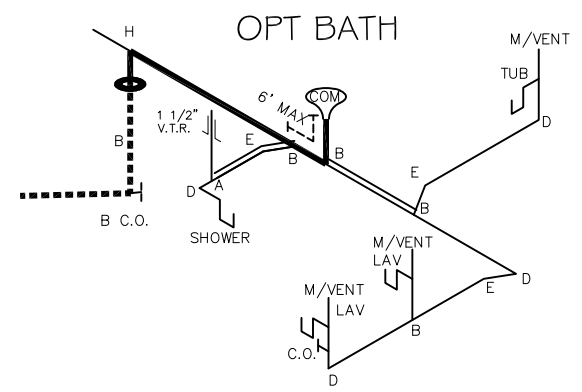
1,474 SQ.FT. (STD PLAN "CONDITIONED")
 N/A SQ.FT. (W/OPT. PORCH/RECESS "CONDITIONED")

CMH MANUFACTURING	Model #: NX128563A	Drawing #:
	Date: 5.22.23	Scale: N.T.S.
Product Designer: FrenchB	28' x 56' Emile	

6/14/2023, 10:19 AM



SUPPLY LINES



DWV

DWV LINE SIZE CHART

	= 3"
	= 2"
	= 1 1/2"

LEGEND

A	SHORT TURN T-Y
B	LONG TURN T-Y
C	1/4 BEND
D	LONG SWEEP 1/4 BEND
E	45 ELL
F	DBL. SANITARY TEE
G	4x3 CLOSET ELL
H	DOUBLE ELL
I	22 1/2" ELL
J	45° Y
K	LONG TURN STREET ELBOW
L	45 FTG ELL

APPROVED **HWG** **APPROVED**
 14 JUN 2023
 Federal Manufactured Home Construction And Safety Standards

1,474 SQ.FT. (STD PLAN "CONDITIONED")
 N/A SQ.FT. (W/OPT. PORCH/RECESS "CONDITIONED")

CMH MANUFACTURING	Model #: NX128563A	Drawing #:
	Date: 5.22.23	Scale: N.T.S.
Product Designer: FrenchB	28' x 56' Emile	
D.W.V. and Supply Lines		