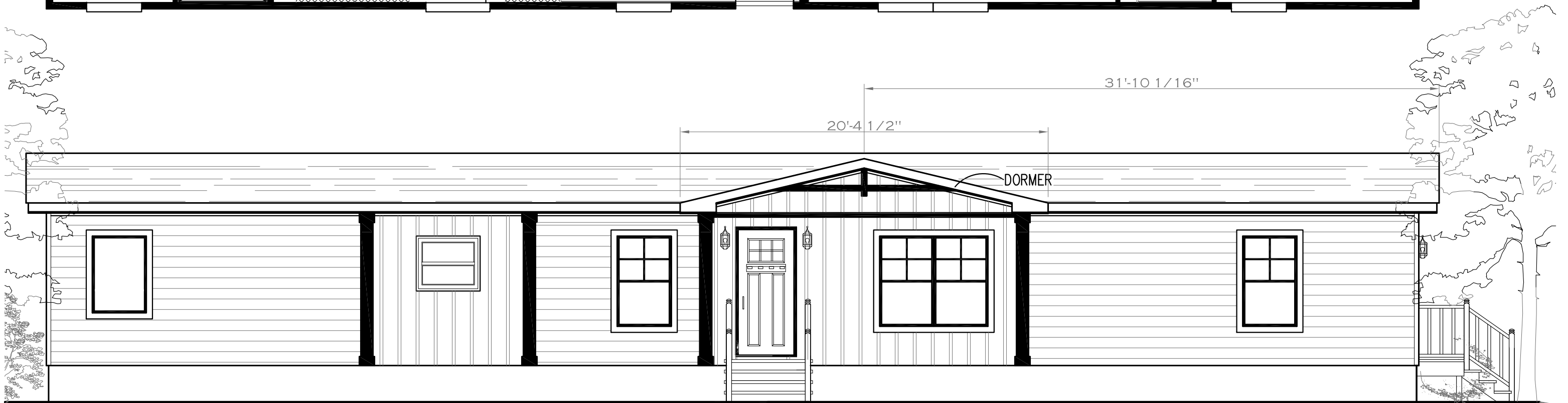
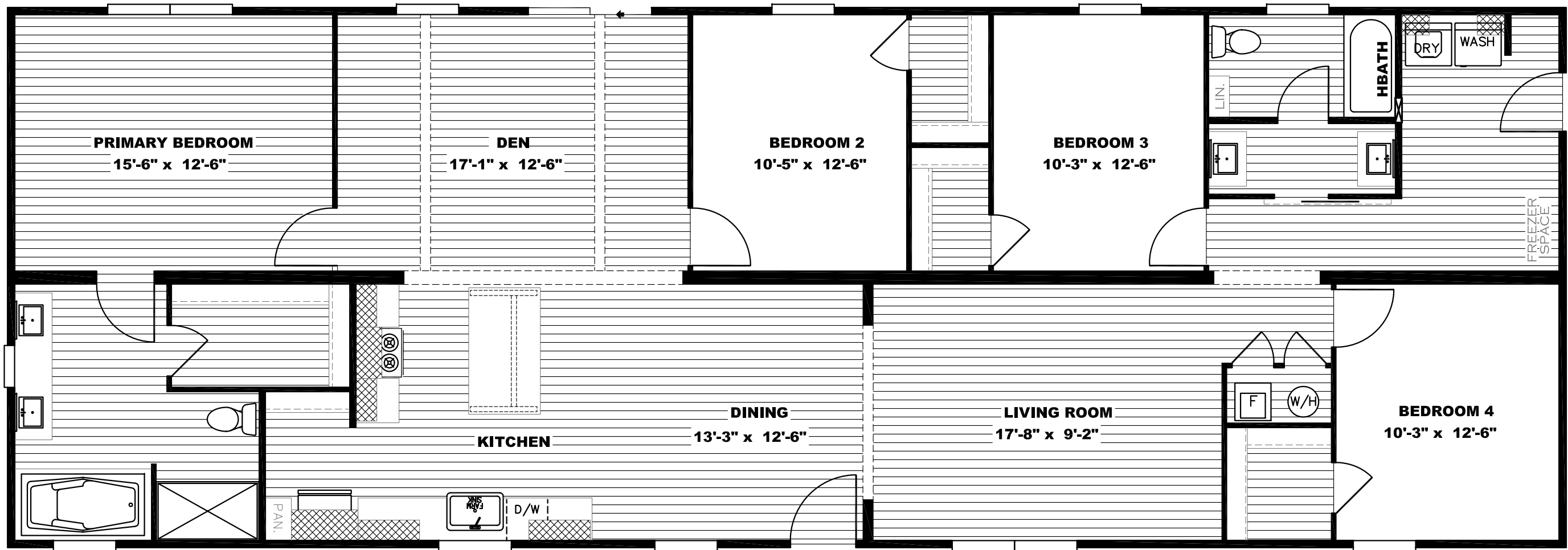




MODEL #FRM28764A

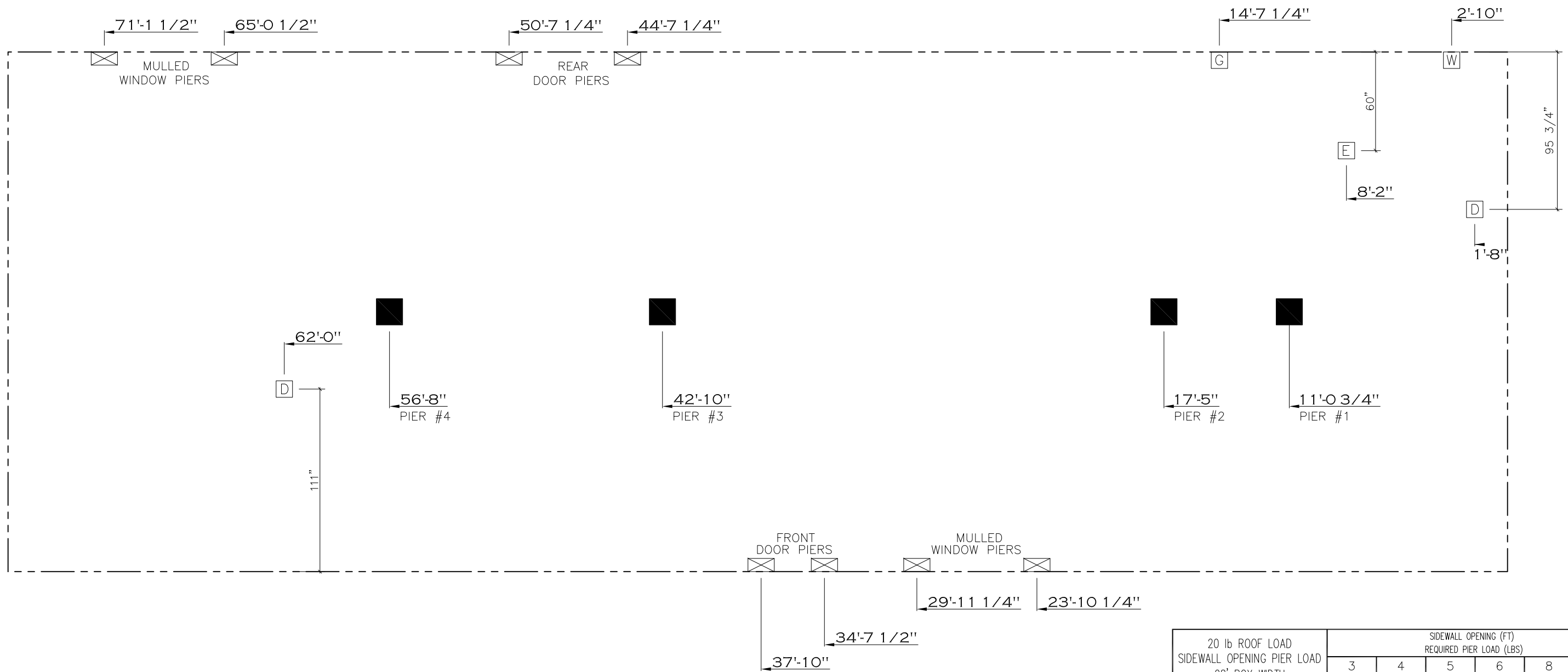
DRAWING # 52M025

28' x 76' EMMELINE



REV. - 3/24/2023, 8:59 AM

2,001 SQ.FT. (STD PLAN "CONDITIONED")		N/A SQ.FT. (W/OPT. PORCH/RECESS "CONDITIONED")	
CMH MANUFACTURING	Model #: FRM28764A Date: 3.21.23	Scale: N.T.S.	Drawing #: 52M025
Product Designer: FrenchB		28' x 76' Emmeline	
ELEVATION			



20 lb ROOF LOAD SIDEWALL OPENING PIER LOAD 28' BOX WIDTH	SIDEWALL OPENING (FT) REQUIRED PIER LOAD (LBS)					
	3	4	5	6	8	10
	1175	1330	1485	1640	1950	2260

*FOR 30 lb & 40 lb ROOF LOAD REFER TO TABLES 7b & 7c IN THE INSTALLATION MANUAL.

20 psf Roof Live Load				30 psf Roof Live Load		
Column Pier #	Distance from Hitch Feet	Inches	Pier Load (lbs)	Column Pier #	Distance from Hitch	Pier Load (lbs)
1	11	0.75	1655	1	11.063	3127
2	17	5	1655	2	17.417	3127
3	42	10	3132	3	42.833	5096
4	56	8	3132	4	56.667	5096

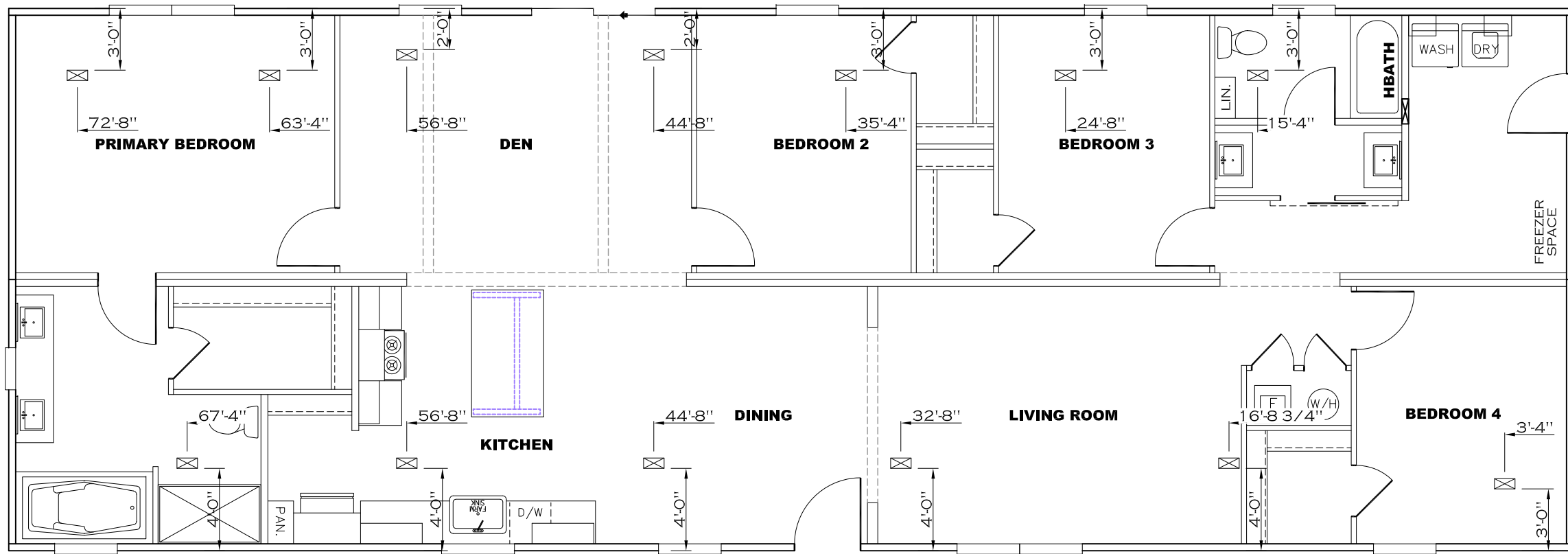
40 psf Roof Live Load		
Column Pier #	Distance from Hitch	Pier Load (lbs)
1	11.063	3808
2	17.417	3808
3	42.833	6270
4	56.667	6270

PIER LEGEND	
	= SUPPORT UNDER MATING OPENING
	= SUPPORT AT MATING COLUMN
	= SUPPORT UNDER MATING WALL
	= PIER PORCH/RECESSED ENTRY
	= PIER MAIN BEAM
	= PIER PERIMETER
	= TIE-DOWN SUPPORT (QTY PER TBL M, SEE DETAIL D-6 IN FOUND. PKG.)

SERVICE DROP LEGEND	
	= ELECTRICAL DROP
	= WATER INLET
	= DWV PLUMBING DROP
	= GAS INLET

2,001 SQ.FT. (STD PLAN "CONDITIONED")
N/A SQ.FT. (W/OPT. PORCH/RECESS "CONDITIONED")

CMH MANUFACTURING	Model #: FRM28764A	Drawing #:
	Date: 3.21.23	Scale: N.T.S.
Product Designer: FrenchB		28' x 76' Emmeline
PIER LOADS		

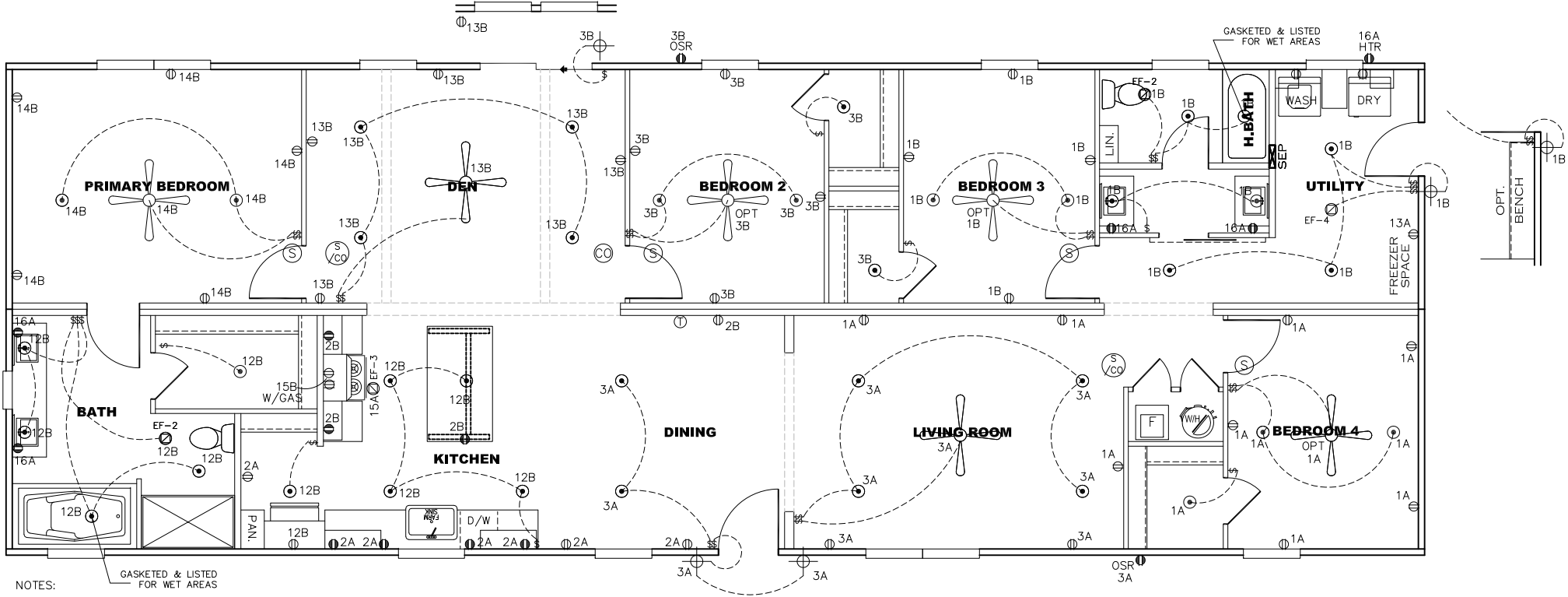


REV. - 3/22/2023, 9:21 AM

2,001 SQ.FT. (STD PLAN "CONDITIONED")
 N/A SQ.FT. (W/OPT. PORCH/RECESS "CONDITIONED")

CMH MANUFACTURING	Model #: FRM28764A	Drawing #:
	Date: 8/28/18	Scale: N.T.S. 52M025
Product Designer: JDC	28' x 76' Emmeline	
OVERHEAD DUCT SYSTEM		

CIRCUIT	CIRCUIT #	WIRE	BREAKER	CIRCUIT	CIRCUIT #	WIRE	BREAKER	CIRCUIT	CIRCUIT #	WIRE	BREAKER
LIGHT/RECEP	1A,1B,3A,3B	14-2	15-SP	DRYER	5A,7B	SEE NOTE #8		BATHROOM	16A	12-2	20-SP
LIGHT/RECEP	12B,13B,14A,14B	14-2	15-SP	WATER HEATER	4A,6B	SEE NOTE #8		OPT G/DISP	9B	SEE NOTE #8	
KITCHEN	2A,2B	12-2	20-SP	RANGE	5B,7A	SEE NOTE #8		OPT SPA/WP/JAC	11A,B	SEE NOTE #8	
WASHER	12A	12-2	20-SP	FURNACE	6A,8A,B,10A,B	SEE NOTE #8		FREEZER	13A	SEE NOTE #8	
RANG HOOD/MICROWAVE	15B	SEE NOTE #8		OPT D/WASH	9A	SEE NOTE #8		OPT ELEC. FIREPLACE	16B	SEE NOTE #8	
OPT. GAS RANG	15A	SEE NOTE #8		SMOKE/CO DECT	4B	SEE NOTE #8					
				REFER	12B	SEE NOTE #8					



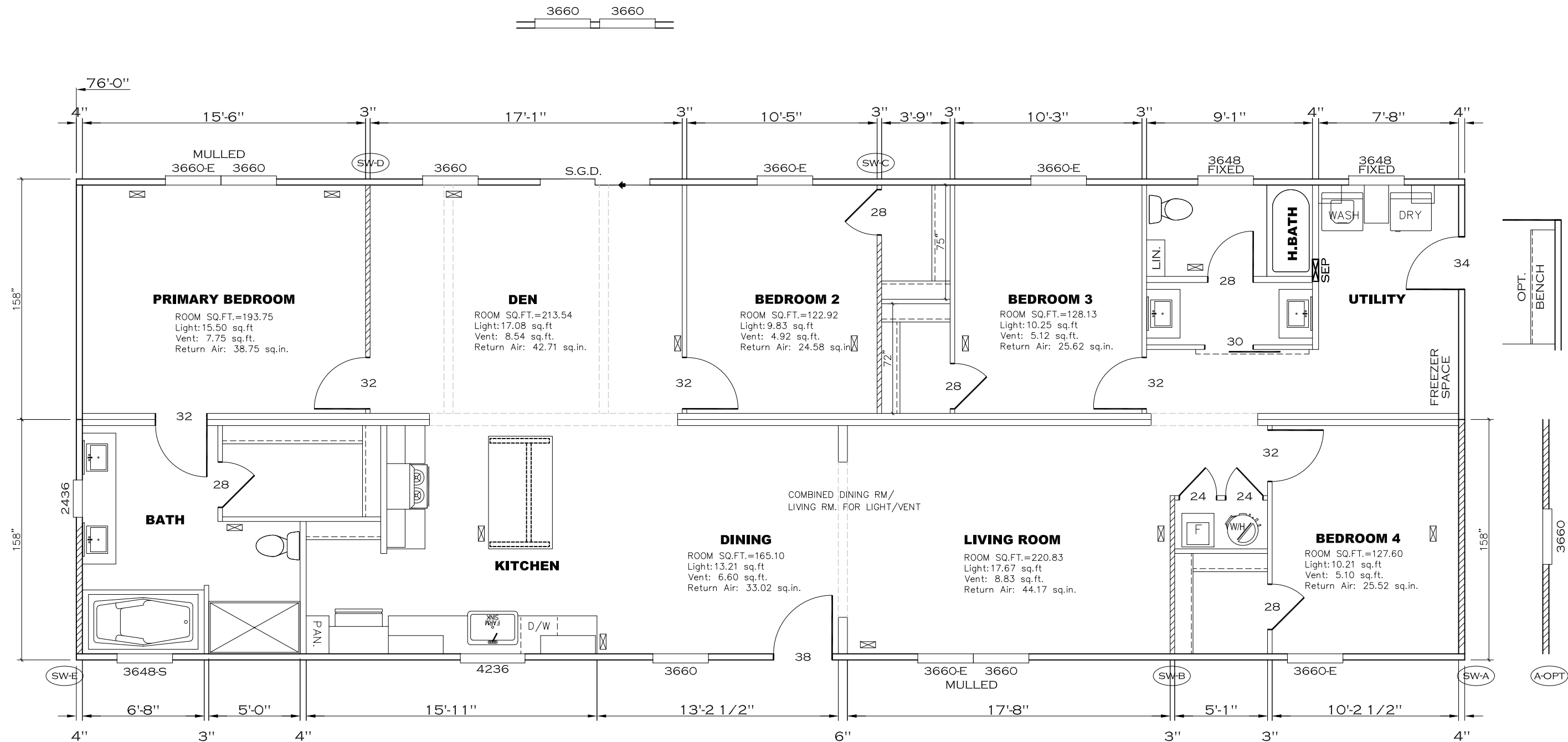
NOTES:

- ALL CIRCUITS SHOWN ARE FOR REFERENCE AND MAY BE CHANGED BASED ON OPTIONAL COMPONENTS INSTALLED IN THE HOME.
- REFER TO DAPIA MANUAL FOR SYMBOL CHART.
- EITHER LIGHT OR RECEPTACLE MUST CONNECT TO SWITCH.
- EF-1= 50 CFM EXHAUST FAN REQUIRED FOR THERMAL ZONE III THERMAL ZONES I & II MAY USE FAN OR WINDOW W/1.5 SQ. FT. OPENABLE GLASS.
- EF-2= 50 CFM EXHAUST FAN REQUIRED THERMAL ZONE I, II, AND III.
- EF-3= 100 CFM RANGE EXHAUST FAN, SWITCH AT HOOD.
- EF-4= WHOLE HOUSE VENTILATION REQUIREMENTS PER DAPIA MANUAL.
- REFER TO DAPIA MANUAL OR THE MFG. INSTALLATION INSTRUCTIONS FOR PROPER WIRE SIZE AND BREAKER SIZE FOR SPECIFIC APPLIANCE AND MODEL BEING INSTALLED.
- ALL SMOKE ALARMS TO BE LOCATED ON THE CEILING.
- CARBON MONOXIDE ALARMS ARE ONLY REQUIRED WHEN HOME HAS EITHER FUEL BURNING APPLIANCES, IS GARAGE READY OR IS BASEMENT READY. REFERENCE DAPIA MANUAL FOR ADDITIONAL INFORMATION.
- DIMENSIONS SHOWN ON PRINT ARE APPROXIMATE AND TO BE USED ONLY AS A GUIDELINE.

APPROVED **HWC** **APPROVED**
 REVISED
 19 JUN 2023
 FP-28-5622
 Federal Manufactured
 Home Construction
 And Safety Standards

2,001 SQ.FT. (STD PLAN "CONDITIONED")
 N/A SQ.FT. (W/OPT. PORCH/RECESS "CONDITIONED")

CMH MANUFACTURING	Model #: FRM28764A	Drawing #:
	Date: 3.21.23	Scale: N.T.S. 52MO25
Product Designer: FrenchB	28' x 76' Emmeline	
ELECTRICAL PLAN		



Model # 52m025 Minimum Joist Spacing 16"

Box Width = 158" Double wide No Offset Box
 Box Length = 76 ft. 99.5" 12" MIN. IBEAM No Clerestory
 No Skylights No Origami Dormer
 No Porches No Sunken Floor No Parapet Roof
 Joist Size = #2 spf 2x6 Lags 9Mx3"

Model # 52m025-opt Minimum Joist Spacing 16"

Box Width = 158" Double wide No Offset Box
 Box Length = 76 ft. 99.5" 12" MIN. IBEAM No Clerestory
 No Skylights No Origami Dormer
 No Porches No Sunken Floor No Parapet Roof
 Joist Size = #2 spf 2x6 Lags 9Mx3"

Version R13.20

Wind Zone 1 Standard Roof (3/8" sheathing only with 15 gax 1.5" at 5"/10" oc. (197 plf) Chords: 2x4 SPF #3 Top Plate spliced w/ 2x4 MCP & 1x6 SPF Rail spliced w/ 12" glue block. 96 inch sidewall)

Shearwall	Dist./ Hitch	Length	PLF	# of Joists	Lags	Notes
A	0'	Full	425	2	4/4	
E	76'	88"	425	6	3/2	

Wind Zone 2 Standard Roof (3/8" sheathing only with 15 gax 1.5" at 5"/10" oc. (197 plf) Chords: 2x4 SPF #3 Top Plate spliced w/ 2.5x6 MCP & 2x4 SPF #3 Rail spliced w/ 12" glue block. 96 inch sidewall)

Shearwall	Dist./ Hitch	Length	PLF	# of Joists	Lags	Notes
A	0'	96"	162	2	1/1	
B	16'	104"	324	3	3/1	
C	32.04'	112"	425	3	4/1	
D	60.04'	112"	425	3	4/1	
E	76'	36"	425	5	1/2	

Wind Zone 3 Standard Roof (3/8" sheathing only with 15 gax 1.5" at 5"/10" oc. (197 plf) Chords: 2x4 SPF #3 Top Plate spliced w/ 2x4 MCP & 1x6 SPF Rail spliced w/ 12" glue block. 96 inch sidewall)

Shearwall	Dist./ Hitch	Length	PLF	# of Joists	Lags	Notes
A	0'	112"	162	2	2/1	
B	16'	104"	425	4	3/1	
C	32.04'	112"	515	4	4/2	
D	60.04'	112"	515	4	4/2	
E	76'	44"	425	6	1/2	

Version R13.20

Wind Zone 1 Standard Roof (3/8" sheathing only with 15 gax 1.5" at 5"/10" oc. (197 plf) Chords: 2x4 SPF #3 Top Plate spliced w/ 2x4 MCP & 1x6 SPF Rail spliced w/ 12" glue block. 96 inch sidewall)

Shearwall	Dist./ Hitch	Length	PLF	# of Joists	Lags	Notes
Aopt	0'	117.5"	425	4	4/4	Split Shearwall 58.75/58.75
E	76'	88"	425	6	3/2	

Wind Zone 2 Standard Roof (3/8" sheathing only with 15 gax 1.5" at 5"/10" oc. (197 plf) Chords: 2x4 SPF #3 Top Plate spliced w/ 2.5x6 MCP & 2x4 SPF #3 Rail spliced w/ 12" glue block. 96 inch sidewall)

Shearwall	Dist./ Hitch	Length	PLF	# of Joists	Lags	Notes
Aopt	0'	117.5"	162	2	1/1	Split Shearwall 58.75/58.75
B	16'	104"	324	3	3/1	
C	32.04'	112"	425	3	4/1	
D	60.04'	112"	425	3	4/1	
E	76'	36"	425	5	1/2	

Wind Zone 3 Standard Roof (3/8" sheathing only with 15 gax 1.5" at 5"/10" oc. (197 plf) Chords: 2x4 SPF #3 Top Plate spliced w/ 2x4 MCP & 1x6 SPF Rail spliced w/ 12" glue block. 96 inch sidewall)

Shearwall	Dist./ Hitch	Length	PLF	# of Joists	Lags	Notes
Aopt	0'	117.5"	162	2	2/2	Split Shearwall 58.75/58.75
B	16'	104"	425	4	3/1	
C	32.04'	112"	515	4	4/2	
D	60.04'	112"	515	4	4/2	
E	76'	44"	425	6	1/2	

APPROVED **IWGC** **APPROVED**

REVISED
 19 JUN 2023
 FP-28-5622

Federal Manufactured
 Home Construction
 And Safety Standards

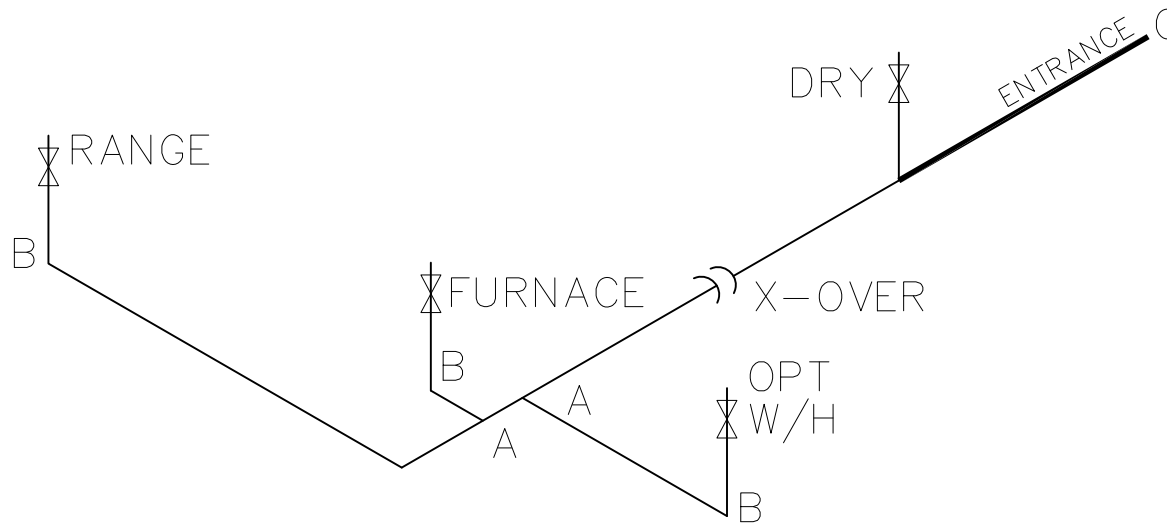
2,001 SQ.FT. (STD PLAN "CONDITIONED")
 N/A SQ.FT. (W/OPT. PORCH/RECESS "CONDITIONED")

CMH MANUFACTURING	Model #: FRM28764A	Drawing #:
Date: 3.21.23	Scale: N.T.S.	52M025
Product Designer: FrenchB		28' x 76' Emmeline

Floor Plan

LEGEND		APPLIANCE BTU's RATINGS MAX. INPUT	
SYM	FITTINGS		
A	TEE	FURNACE	65,000 BTU'S
B	90 ELL	W/H	37,000 BTU'S
X	VALVE	RANGE	52,000 BTU'S
C	CAP	DRYER	22,000 BTU'S

MDL=60



NOTES:

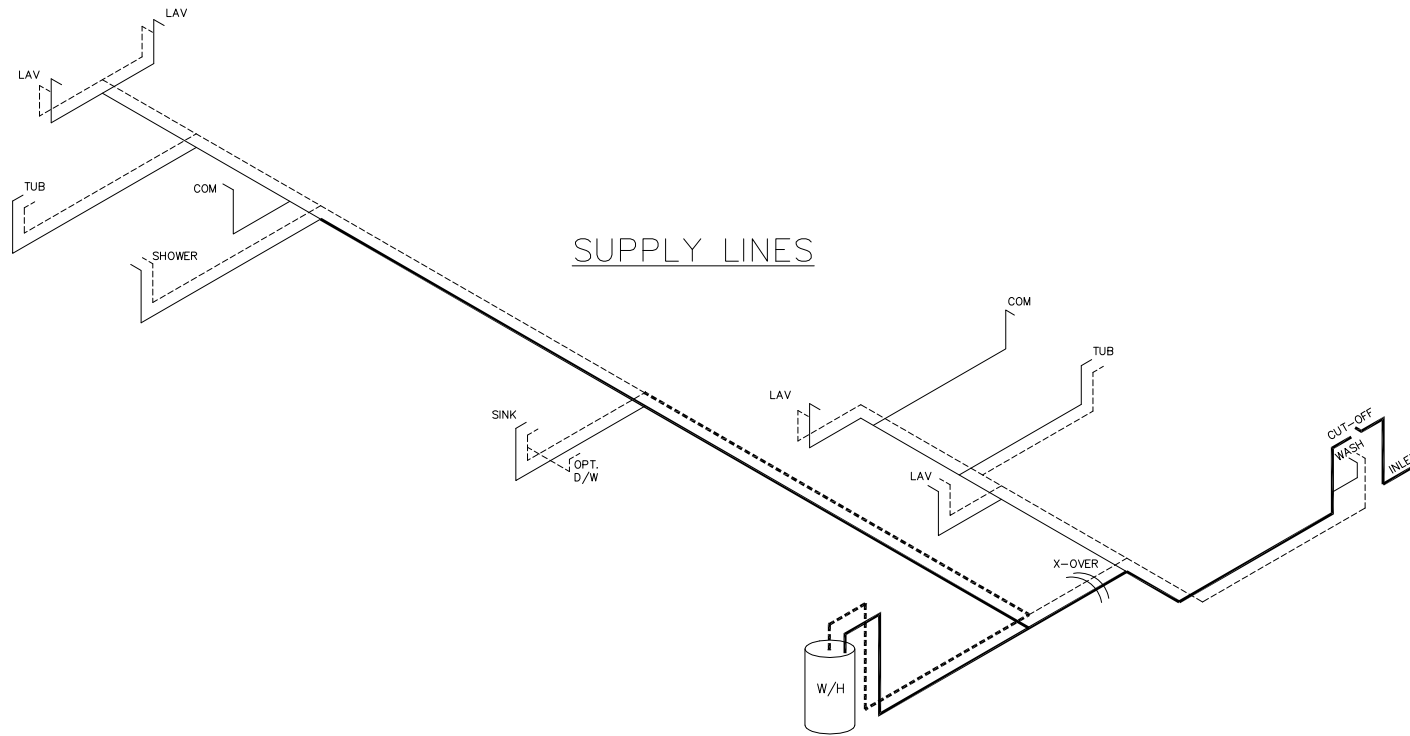
- 1) ALL PIPE IS 3/4" I.D.CAST (EXCEPT WHERE NOTED OTHERWISE)
- 2) MDL=MAX. DETERMINED LENGTH OF PIPE
- 3) FITTING MAY BE ADDED OR SUBTRACTED TO TRAVERSE VARIATIONS IN AXLE QUANTITY, PLACEMENT, AND FRAME TYPE.
- 4) INLET LOCATION MAY VARY TO STAY WITHIN MAX. DETERMINED LENGTH

GAS LINE SIZE CHART	
	= 1"
	= 3/4"

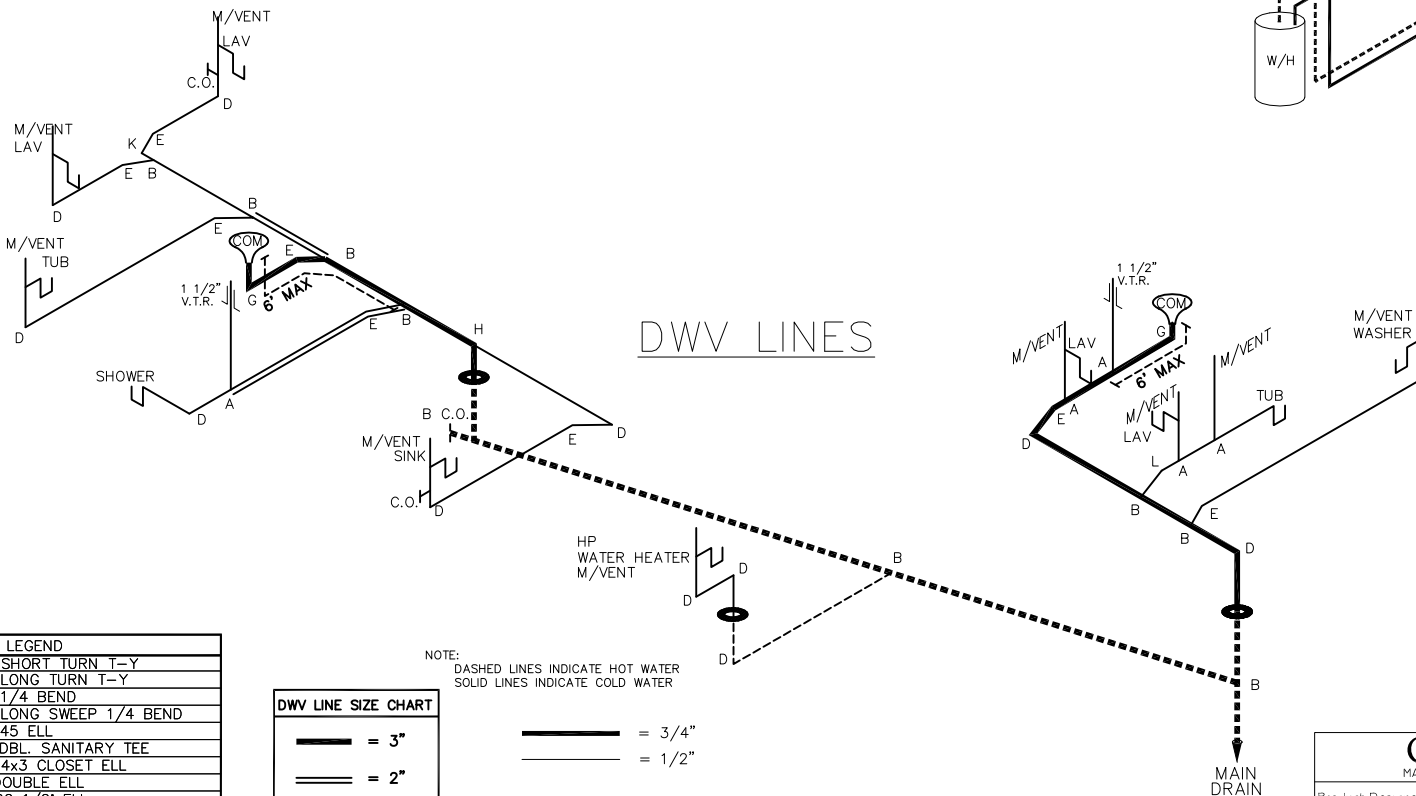
APPROVED
HWG
APPROVED

26 APR 2023
 FP-28-5622
 Federal Manufactured
 Home Construction
 And Safety Standards

2,001 SQ.FT. (STD PLAN "CONDITIONED")	
N/A SQ.FT. (W/OPT. PORCH/RECESS "CONDITIONED")	
CMH MANUFACTURING	Model #: FRM28764A Date: 3.21.23 Scale: N.T.S.
Product Designer: FrenchB	Drawing #: 52M025
28' x 76' Emmeline	
GAS LINE DETAIL	



SUPPLY LINES

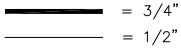


DWV LINES

LEGEND	
A	SHORT TURN T-Y
B	LONG TURN T-Y
C	1/4 BEND
D	LONG SWEEP 1/4 BEND
E	45 ELL
F	DBL. SANITARY TEE
G	4x3 CLOSET ELL
H	DOUBLE ELL
I	22 1/2° ELL
J	45° Y
K	LONG TURN STREET ELBOW
L	45 FTG ELL

DWV LINE SIZE CHART	
	= 3"
	= 2"
	= 1 1/2"

NOTE: DASHED LINES INDICATE HOT WATER
SOLID LINES INDICATE COLD WATER



APPROVED **HWG** **APPROVED**

REVISED
26 APR 2023
FP-28-5622
Federal Manufactured
Home Construction
And Safety Standards

CMH MANUFACTURING		Model #: FRM28764A	Drawing #:
		Date: 3.21.23	Scale: N.T.S. 52M025
Product Designer: FrenchB		28' x 76' Emmeline	
D.W.V. and Supply Lines			

2,001 SQ.FT. (STD PLAN "CONDITIONED")
N/A SQ.FT. (W/OPT. PORCH/RECESS "CONDITIONED")