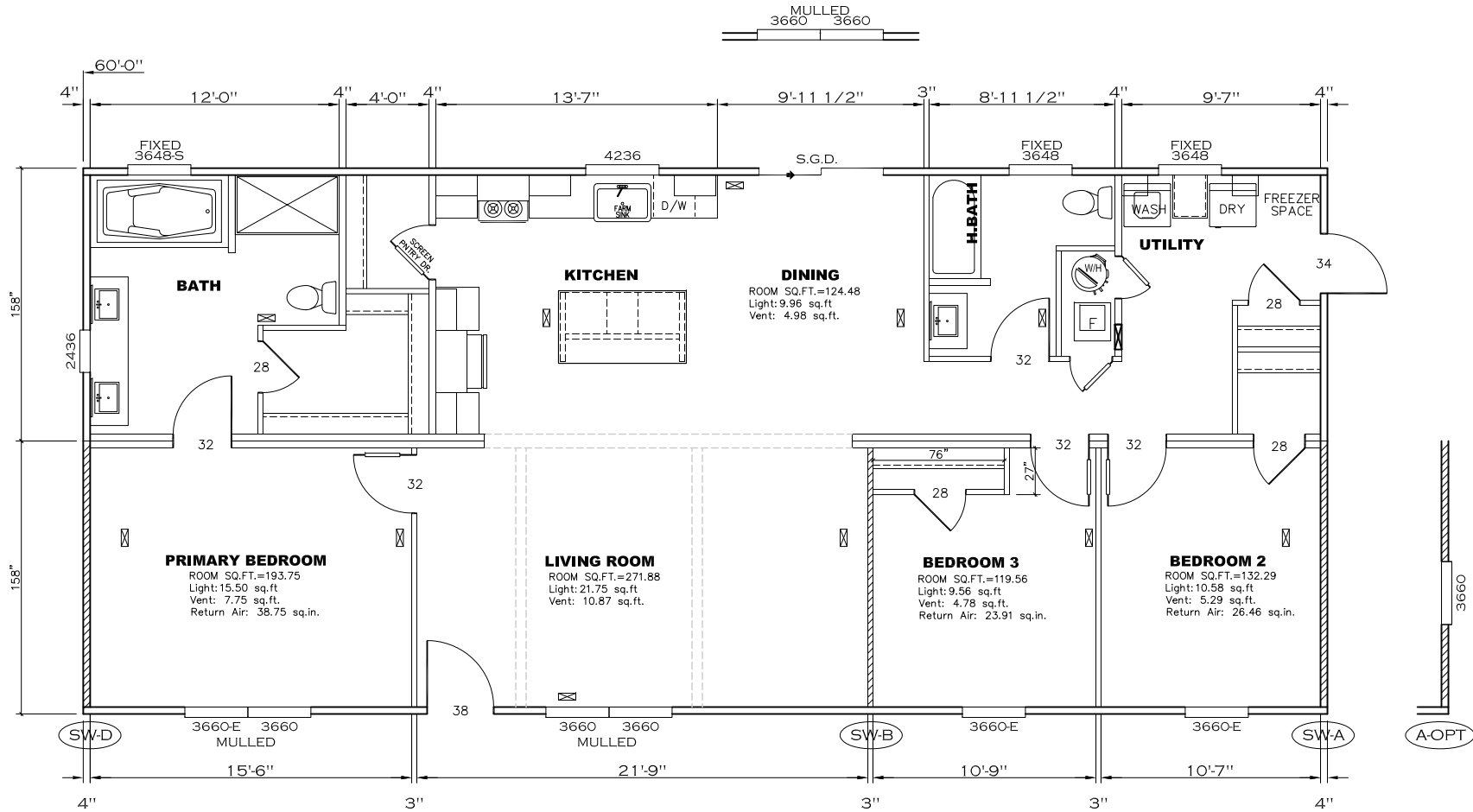


MODEL #FRM28603B
 DRAWING # 52M020
28' x 60' FARM 3 FLEX



Version R13.17

Shearwall	Dist./ Hitch	Length	PLF	# of Joists	Lags	Notes
A	0'	136"	162	2	2/1	
D	60'	136"	162	2	2/1	

Shearwall	Dist./ Hitch	Length	PLF	# of Joists	Lags	Notes
A	0'	128"	162	2	2/1	
B	22.04'	Full	425	2	2/2	
D	60'	Full	425	2	3/3	

Shearwall	Dist./ Hitch	Length	PLF	# of Joists	Lags	Notes
A	0'	Full	425	2	3/3	
B	22.04'	Full	515	2	3/3	
D	60'	Full	425	2	3/3	

Version R13.17

Shearwall	Dist./ Hitch	Length	PLF	# of Joists	Lags	Notes
Aopt	0'	117.5"	425	4	4/4	Split Shearwall
D	60'	136"	162	2	2/1	

Shearwall	Dist./ Hitch	Length	PLF	# of Joists	Lags	Notes
Aopt	0'	117.5"	425	4	4/4	Split Shearwall
B	22.04'	Full	425	2	2/2	
D	60'	Full	425	2	3/3	

Shearwall	Dist./ Hitch	Length	PLF	# of Joists	Lags	Notes
Aopt	0'	117.5"	425	4	4/4	Split Shearwall
B	22.04'	Full	515	2	3/3	
D	60'	Full	425	2	3/3	

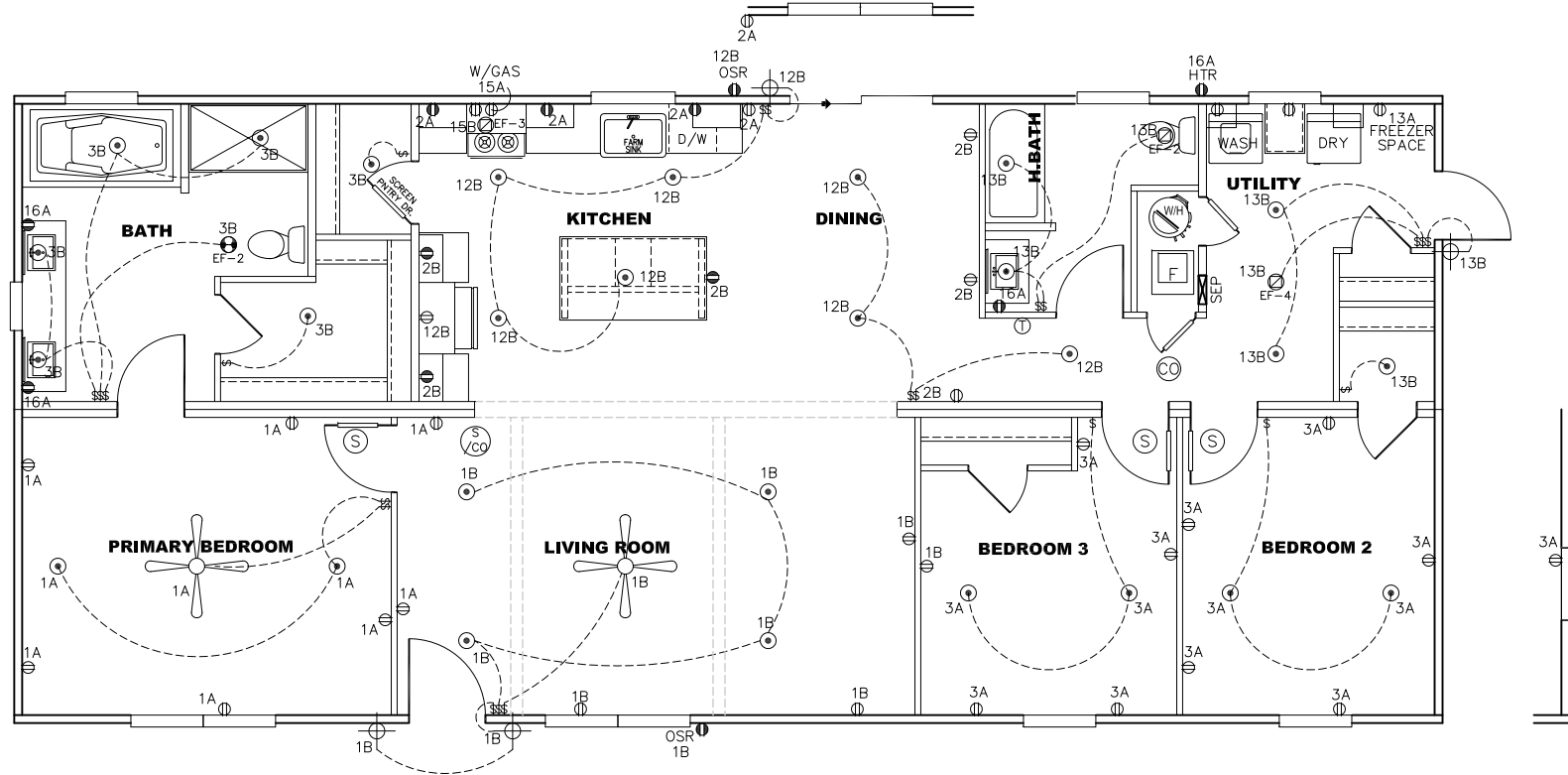
APPROVED **HWC** **APPROVED**

22 MAY 2023
 FP-28-5641
 Federal Manufactured Home Construction And Safety Standards

1,580 SQ.FT. (STD PLAN "CONDITIONED")
 N/A SQ.FT. (W/OPT. PORCH/RECESS "CONDITIONED")

CMH MANUFACTURING	Model #: FRM28603B	Drawing #:
	Date: 5.1.23	Scale: N.T.S.
Product Designer: BF	BF	
Floor Plan		

CIRCUIT	CIRCUIT #	WIRE	BREAKER	CIRCUIT	CIRCUIT #	WIRE	BREAKER	CIRCUIT	CIRCUIT #	WIRE	BREAKER
LIGHT/RECEP	1A,1B,3A,3B	14-2	15-SP	DRYER	5A,7B	SEE NOTE #8		BATHROOM	16A	12-2	20-SP
LIGHT/RECEP	12B,13B,14A,14B	14-2	15-SP	WATER HEATER	4A,6B	SEE NOTE #8		OPT G/DISP	9B	SEE NOTE #8	
KITCHEN	2A,2B	12-2	20-SP	RANGE	5B,7A	SEE NOTE #8		OPT SPA/WF/JAC	11A,B	SEE NOTE #8	
WASHER	12A	12-2	20-SP	FURNACE	6A,8A,B,10A,B	SEE NOTE #8		FREEZER	13A	SEE NOTE #8	
RANG HOOD/MICROWAVE	15B	SEE NOTE #8		OPT D/WASH	9A	SEE NOTE #8		OPT ELEC. FIREPLACE	16B	SEE NOTE #8	
OPT. GAS RANG	15A	SEE NOTE #8		SMOKE/CO DECT	4B	SEE NOTE #8					
				REFER	12B	SEE NOTE #8					



NOTES:

1. ALL CIRCUITS SHOWN ARE FOR REFERENCE AND MAY BE CHANGED BASED ON OPTIONAL COMPONENTS INSTALLED IN THE HOME.
2. REFER TO DAPIA MANUAL FOR SYMBOL CHART.
3. EITHER LIGHT OR RECEPTACLE MUST CONNECT TO SWITCH.
4. EF-1= 50 CFM EXHAUST FAN REQUIRED FOR THERMAL ZONE III THERMAL ZONES I & II MAY USE FAN OR WINDOW W/1.5 SQ. FT. OPENABLE GLASS.
5. EF-2= 50 CFM EXHAUST FAN REQUIRED THERMAL ZONE I, II, AND III.
6. EF-3= 100 CFM RANGE EXHAUST FAN, SWITCH AT HOOD.
7. EF-4= WHOLE HOUSE VENTILATION REQUIREMENTS PER DAPIA MANUAL.
8. REFER TO DAPIA MANUAL OR THE MFG. INSTALLATION INSTRUCTIONS FOR PROPER WIRE SIZE AND BREAKER SIZE FOR SPECIFIC APPLIANCE AND MODEL BEING INSTALLED.
9. ALL SMOKE ALARMS TO BE LOCATED ON THE CEILING.
10. CARBON MONOXIDE ALARMS ARE ONLY REQUIRED WHEN HOME HAS EITHER FUEL BURNING APPLIANCES, IS GARAGE READY OR IS BASEMENT READY. REFERENCE DAPIA MANUAL FOR ADDITIONAL INFORMATION.
11. DIMENSIONS SHOWN ON PRINT ARE APPROXIMATE AND TO BE USED ONLY AS A GUIDELINE.

APPROVED **HWC** **APPROVED**

22 MAY 2023
 FP-28-5641
 Federal Manufactured
 Home Construction
 And Safety Standards

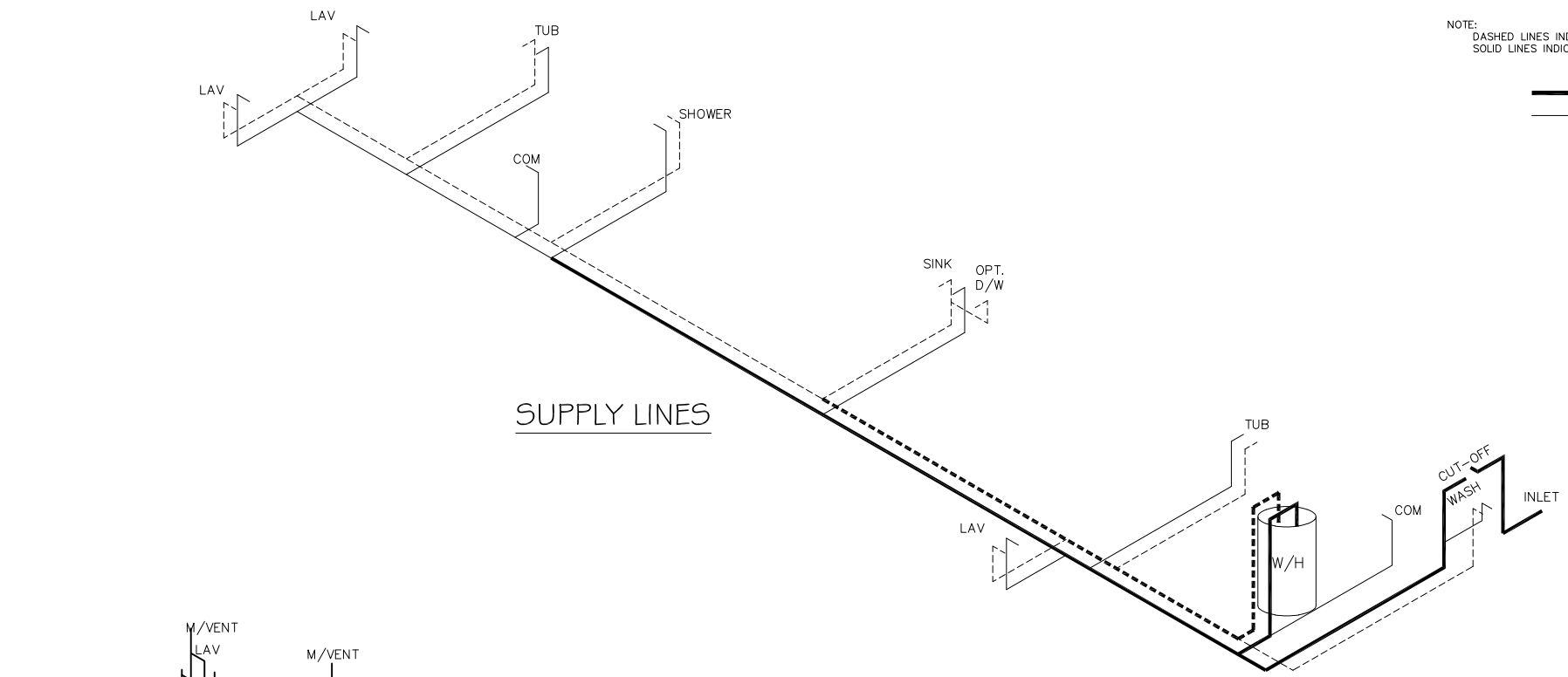
1,580 SQ.FT. (STD PLAN "CONDITIONED")
 N/A SQ.FT. (W/OPT. PORCH/RECESS "CONDITIONED")

CMH MANUFACTURING	Model #: FRM28603B	Drawing #:
	Date: 5.1.23	Scale: N.T.S. 52MO20
Product Designer: BF	28' x 60' Farm 3 Flex	
ELECTRICAL PLAN		

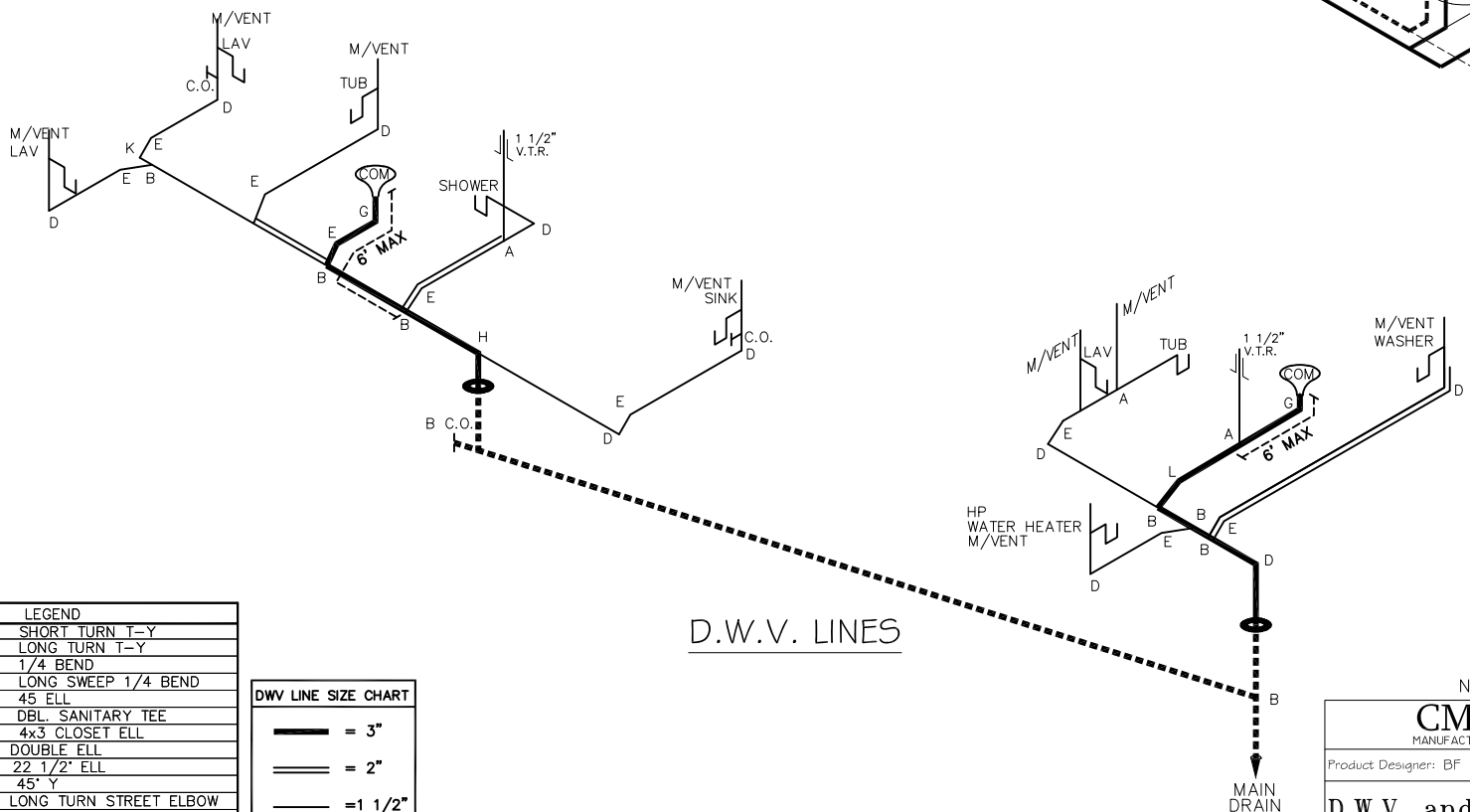
NOTE:
 DASHED LINES INDICATE HOT WATER
 SOLID LINES INDICATE COLD WATER

———— = 3/4"
 ————— = 1/2"

SUPPLY LINES



D.W.V. LINES



APPROVED **HWG** **APPROVED**

22 MAY 2023
 FP-28-5641
 Federal Manufactured
 Home Construction
 And Safety Standards

1,580 SQ.FT. (STD PLAN "CONDITIONED")
 N/A SQ.FT. (W/OPT. PORCH/RECESS "CONDITIONED")

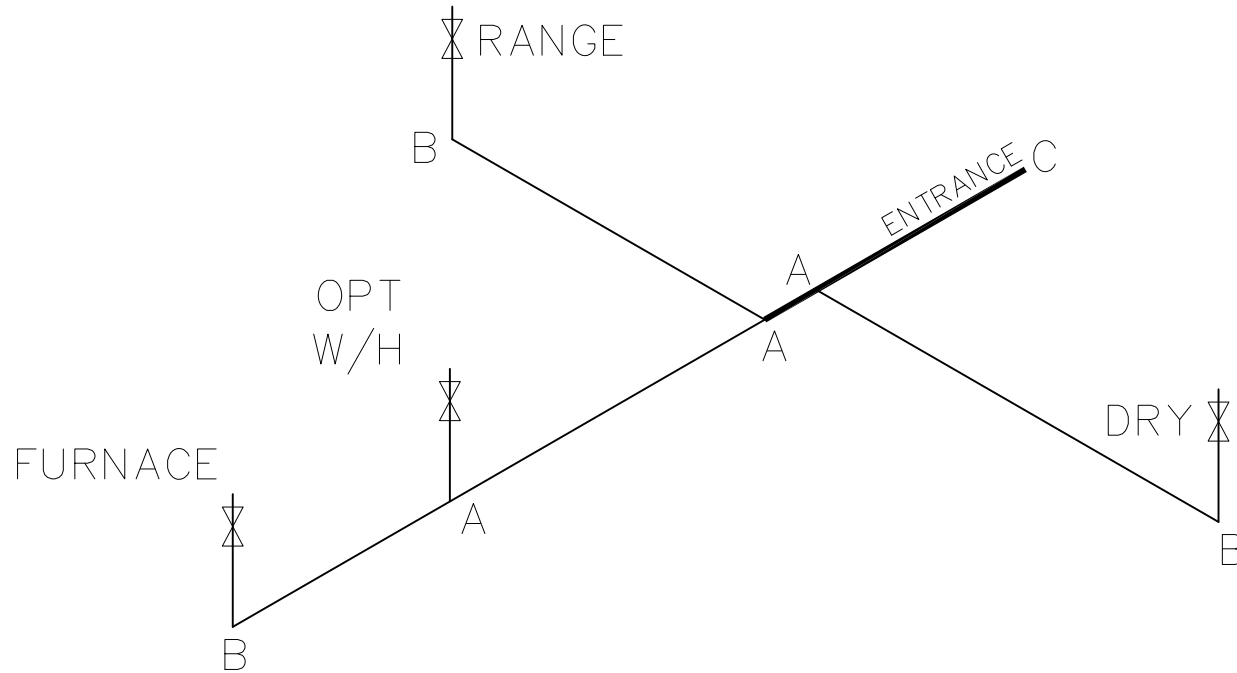
LEGEND	
A	SHORT TURN T-Y
B	LONG TURN T-Y
C	1/4 BEND
D	LONG SWEEP 1/4 BEND
E	45 ELL
F	DBL. SANITARY TEE
G	4x3 CLOSET ELL
H	DOUBLE ELL
I	22 1/2" ELL
J	45° Y
K	LONG TURN STREET ELBOW
L	45 FTG ELL

DWV LINE SIZE CHART	
————	= 3"
————	= 2"
————	= 1 1/2"

CMH MANUFACTURING	Model #: FRM28603B	Drawing #:
	Date: 5.1.23	Scale: N.T.S.
Product Designer: BF		28' x 60' Farm 3 Flex
D.W.V. and Supply Lines		

LEGEND		APPLIANCE BTU'S RATINGS MAX. INPUT	
SYM	FITTINGS		
A	TEE	FURNACE	65,000 BTU'S
B	90 ELL	W/H	37,000 BTU'S
X	VALVE	RANGE	52,000 BTU'S
C	CAP	DRYER	22,000 BTU'S

MDL=45'



NOTES:

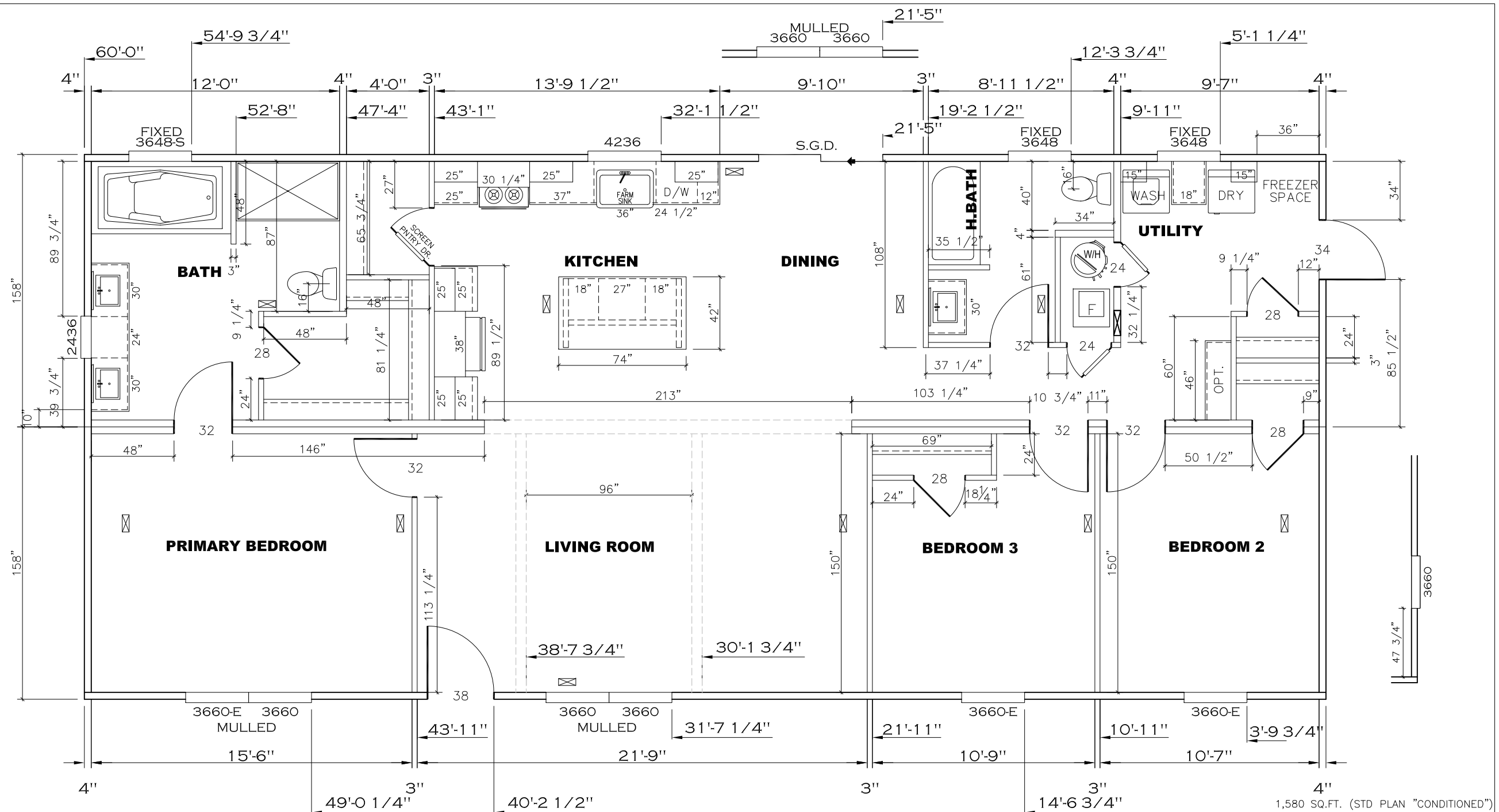
- 1) ALL PIPE IS 3/4" I.D.CAST (EXCEPT WHERE NOTED OTHERWISE)
- 2) MDL=MAX. DETERMINED LENGTH OF PIPE
- 3) FITTING MAY BE ADDED OR SUBTRACTED TO TRAVERSE VARIATIONS IN AXLE QUANTITY, PLACEMENT, AND FRAME TYPE.
- 4) INLET LOCATION MAY VARY TO STAY WITHIN MAX. DETERMINED LENGTH

GAS LINE SIZE CHART	
	= 1"
	= 3/4"

APPROVED
HWG
APPROVED

22 MAY 2023
 FP-28-5641
 Federal Manufactured
 Home Construction
 And Safety Standards

1,580 SQ.FT. (STD PLAN "CONDITIONED")	
N/A SQ.FT. (W/OPT. PORCH/RECESS "CONDITIONED")	
CMH MANUFACTURING	Model #: FRM28603B Date: 5.1.23 Scale: N.T.S.
Drawing #: 52MO20	
Product Designer: BF	28' x 60' Farm 3 Flex
GAS LINE DETAIL	



REV:-5/24/2023 5:02 PM

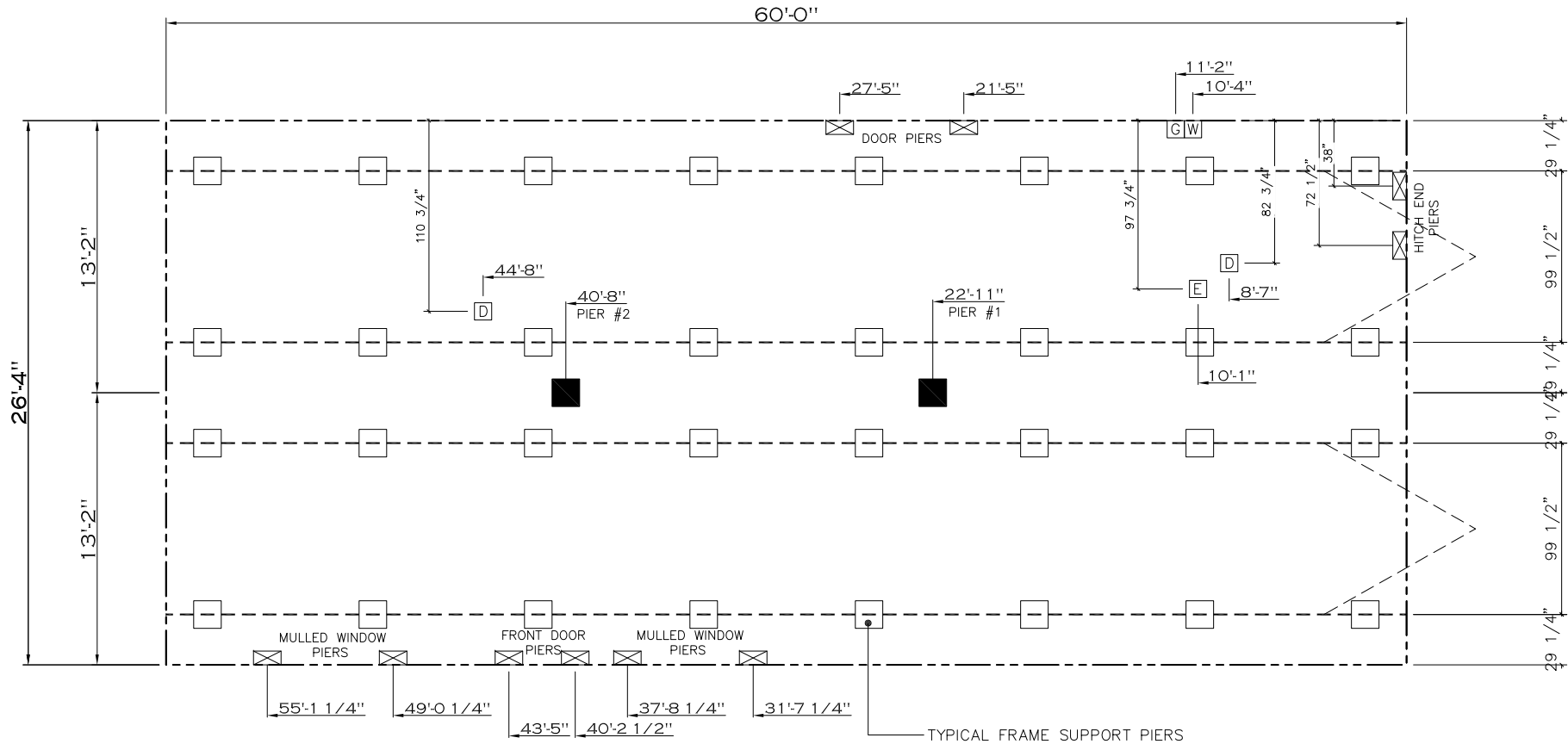
1,580 SQ.FT. (STD PLAN "CONDITIONED")
 N/A SQ.FT. (W/OPT. PORCH/RECESS "CONDITIONED")

CMH MANUFACTURING	Model #: FRM28603B	Drawing #:
	Date: 5.1.23	Scale: N.T.S.
Product Designer: BF		28' x 60' Farm 3 Flex
Floor Plan		

20 lb ROOF LOAD SIDEWALL OPENING PIER LOAD 28' BOX WIDTH	SIDEWALL OPENING (FT) REQUIRED PIER LOAD (LBS)					
	3	4	5	6	8	10
	1175	1330	1485	1640	1950	2260

*FOR 30 lb & 40 lb ROOF LOAD REFER TO TABLES 7b & 7c IN THE INSTALLATION MANUAL.

20 psf Roof Live Load			30 psf Roof Live Load			40 psf Roof Live Load		
Column Pier #	Distance from Hitch	Pier Load (lbs)	Column Pier #	Distance from Hitch	Pier Load (lbs)	Column Pier #	Distance from Hitch	Pier Load (lbs)
1	22.917	3906	1	22.917	6128	1	22.917	7559
2	40.667	3906	2	40.667	6128	2	40.667	7559



GENERAL NOTES:

- PIER LOADS SHOWN ARE TO BE USED TO SIZE THE FOOTINGS BELOW THE MARRIAGEWALL FOR COLUMN SUPPORT PIERS. REFER TO TABLES 6b AND 6c IN THE INSTALLATION MANUAL FOR LOAD ON FRAME PIER FOOTINGS FOR HOMES THAT DO NOT REQUIRE PERIMETER BLOCKING. REFER TO TABLES 7b AND 7c IN THE INSTALLATION MANUAL FOR LOAD ON FRAME PIER FOOTINGS THAT REQUIRE PERIMETER BLOCKING. REFER TO TABLES 10 AND 10a TO DETERMINE FOOTING SIZE FOR ALL PIERS.
- REFER TO TABLE 9 FOR PIER CONFIGURATION AND MAXIMUM ALLOWABLE HEIGHTS. CROSS REFERENCE THE PIER HEIGHT WITH THE MAXIMUM ALLOWABLE FLOOR HEIGHT LISTED IN THE FRAME TIEDOWN CHARTS (TABLE 18, 19, AND 20).
- FLOOR WIDTH SHOWN IS FOR STANDARD PRODUCT ONLY. CONTACT THE MFG PLANT FOR SPECIFICATIONS OF OPTIONS ORDERED.
- SERVICE DROP LOCATIONS IDENTIFIED ARE APPROXIMATE.
- THE MAXIMUM SPACING FOR FRAME SUPPORT PIERS FOR 8" I-BEAMS IS 8 FEET, 10" & 12" I-BEAMS ARE 10 FEET.

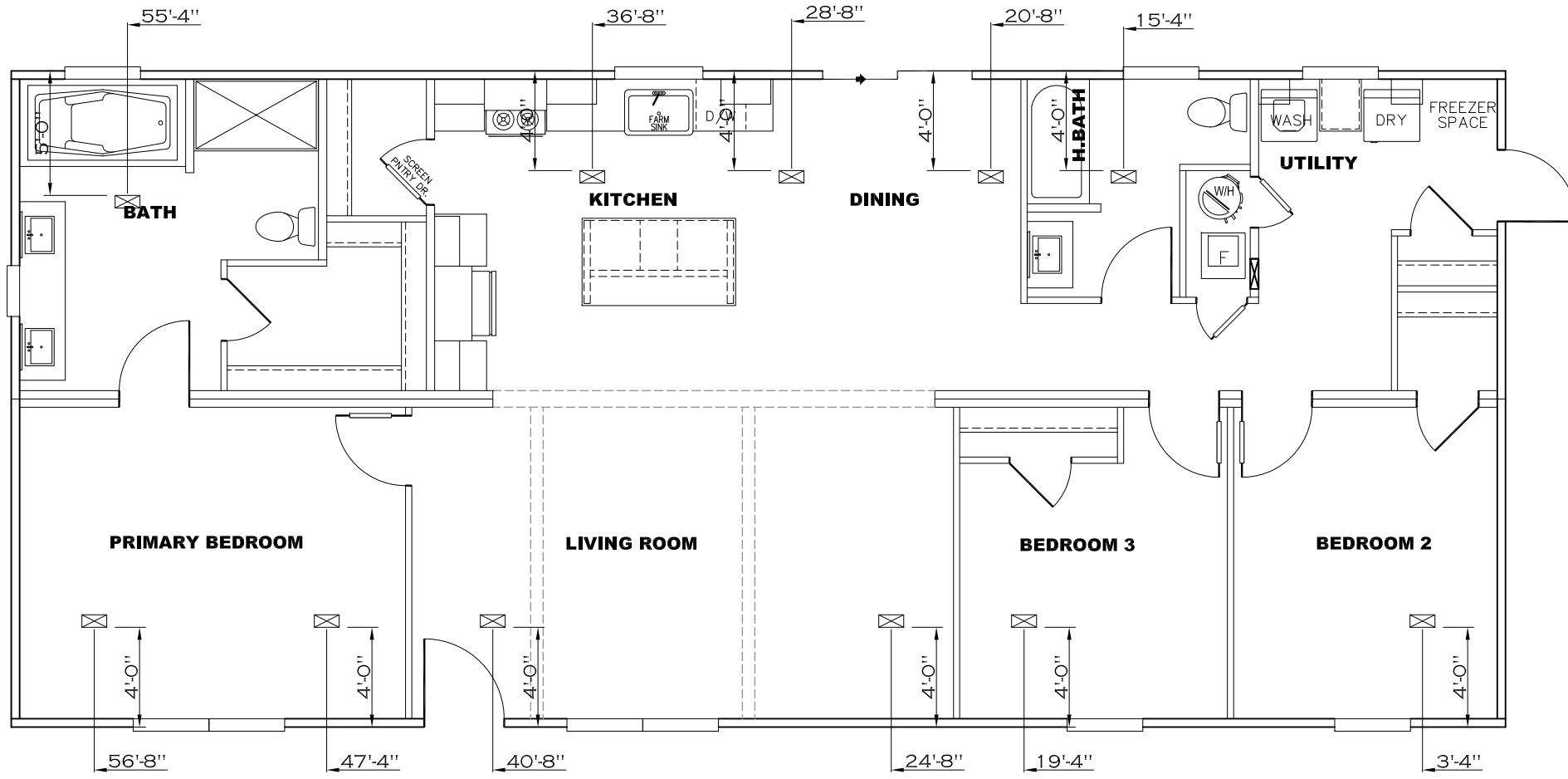
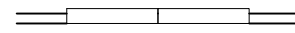
PIER LEGEND	
□	= SUPPORT UNDER MATING OPENING
■	= SUPPORT AT MATING COLUMN
▨	= SUPPORT UNDER MATING WALL
■	= PIER PORCH/RECESSED ENTRY
□	= PIER MAIN BEAM
⊞	= PIER PERIMETER
●	= TIE-DOWN SUPPORT (QTY PER TBL M, SEE DETAIL D-6 IN FOUND. PKG.)

SERVICE DROP LEGEND	
E	= ELECTRICAL DROP
W	= WATER INLET
D	= DWV PLUMBING DROP
G	= GAS INLET

REV:-10/9/2023 10:29 AM

1,580 SQ.FT. (STD PLAN "CONDITIONED")
N/A SQ.FT. (W/OPT. PORCH/RECESS "CONDITIONED")

CMH MANUFACTURING	Model #: FRM28603B	Drawing #:
	Date: 5.1.23	Scale: N.T.S.
Product Designer: BF		28' x 60' Farm 3 Flex
SERVICE		



REV:-5/23/2023 9:49 AM

1,580 SQ.FT. (STD PLAN "CONDITIONED")
 N/A SQ.FT. (W/OPT. PORCH/RECESS "CONDITIONED")

CMH MANUFACTURING	Model #: FRM28603B	Drawing #:
	Date: 8/28/18	Scale: N.T.S. 52MO20
Product Designer: JDC		28' x 60' Farm 3 Flex
OVERHEAD DUCT SYSTEM		