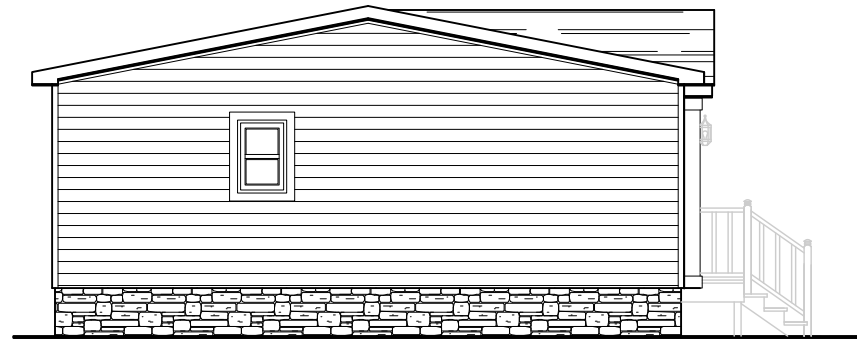


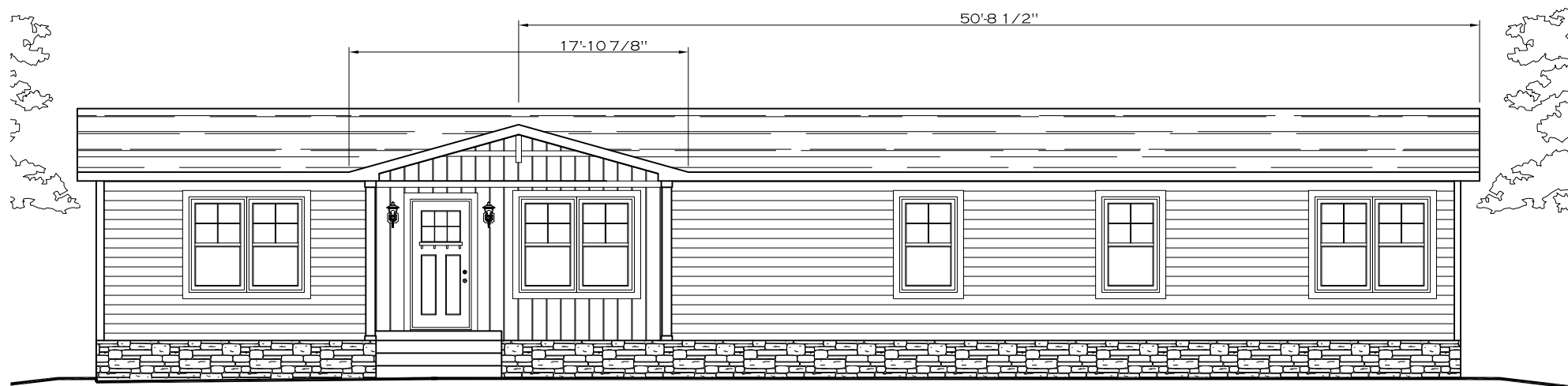
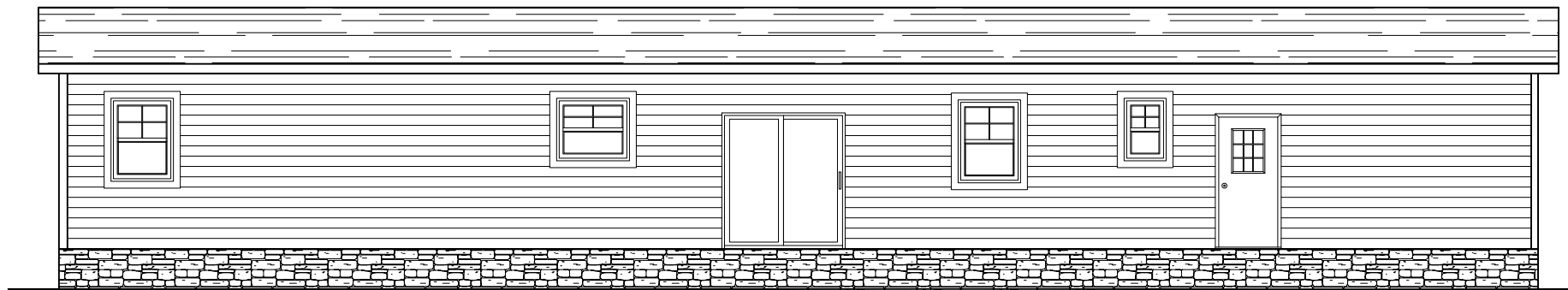
MODEL #FRM28723A
 DRAWING # 52M023
28' x 72' FARM 3 FLEX



LEFT SIDE ELEVATION



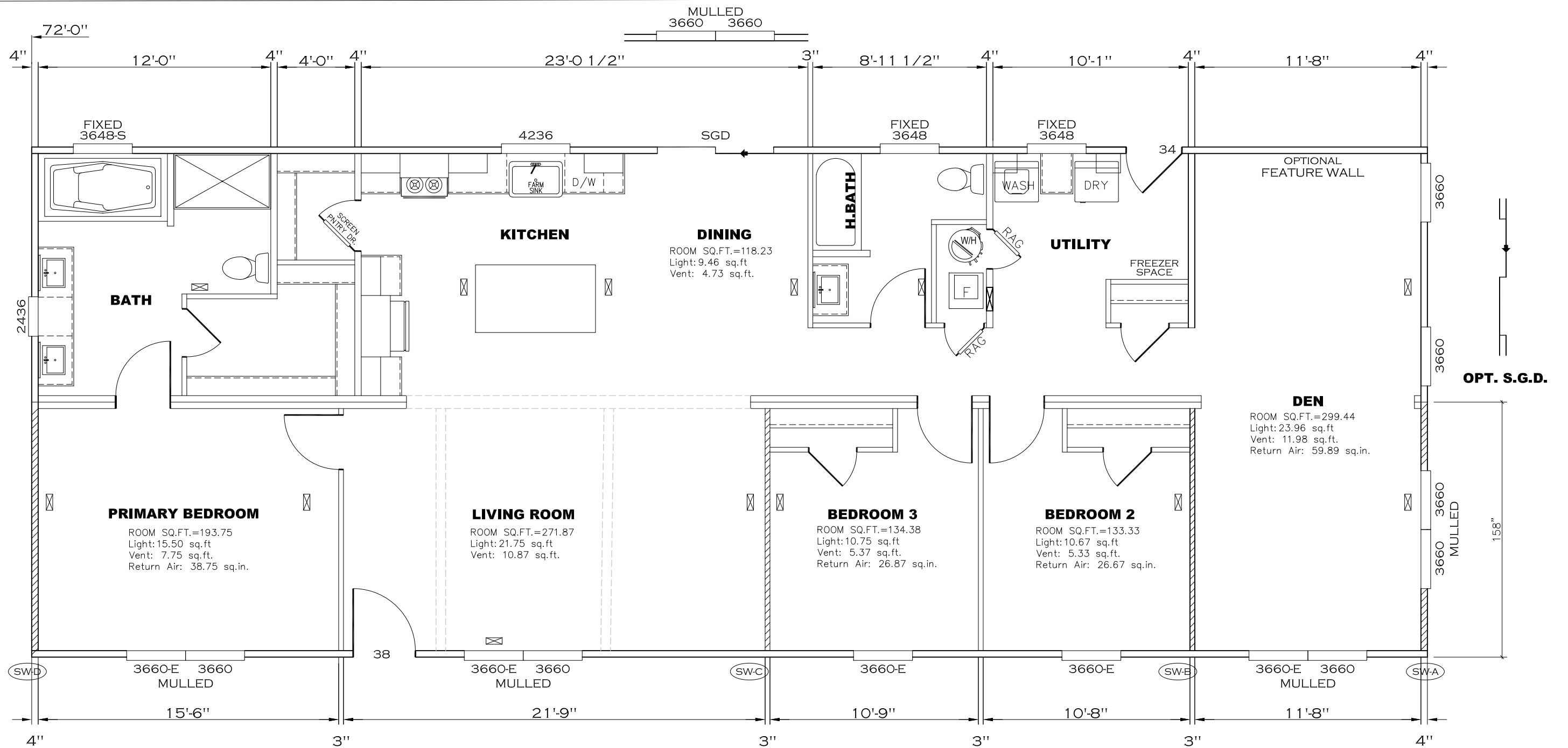
RIGHT SIDE ELEVATION



MODEL #FRM28723A

DRAWING # 52M023

28'x72' FARM 3 FLEX



Model # 52m023 Minimum Joist Spacing 16"

Box Width = 158" Double wide No Offset Box
 Box Length = 72 ft. 99.5" 12" MIN. IBEAM No Clerestory
 No Skylights No Origami Dormer
 No Porches No Sunken Floor
 Joist Size = #2 spf 2x6 Lags 9Mx3" No Parapet Roof

Version R13.20

Wind Zone 1 Standard Roof		(3/8" sheathing only with 15 gax 1.5" at 5/10" oc. (197 plf) Chords: 2x4 SPF #3 Top Plate spliced w/ 2x4 MCP & 1x6 SPF Rail spliced w/ 12" glue block.		96 inch sidewall			
Shearwall	Dist./ Hitch	Length	PLF	# of Joists	Lags	Notes	SW1/SW2
A	0'	81"	425	5	2/2	Split Shearwall	42.5/38.5
D	72'	Full	425	2	4/4		

Wind Zone 2 Standard Roof		(3/8" sheathing only with 15 gax 1.5" at 5/10" oc. (197 plf) Chords: 2x4 SPF #3 Top Plate spliced w/ 2.5x6 MCP & 2x4 SPF #3 Rail spliced w/ 12" glue block.		96 inch sidewall			
Shearwall	Dist./ Hitch	Length	PLF	# of Joists	Lags	Notes	SW1/SW2
A	0'	81"	162	2	1/1	Split Shearwall	42.5/38.5
B	12.13'	112"	324	2	3/1		
C	34.05'	Full	425	2	2/2		
D	72.01'	Full	425	2	4/4		

Wind Zone 3 Standard Roof		(3/8" sheathing only with 15 gax 1.5" at 5/10" oc. (197 plf) Chords: 2x4 SPF #3 Top Plate spliced w/ 2x4 MCP & 1x6 SPF Rail spliced w/ 12" glue block.		96 inch sidewall			
Shearwall	Dist./ Hitch	Length	PLF	# of Joists	Lags	Notes	SW1/SW2
A	0'	81"	425	5	1/1	Split Shearwall	42.5/38.5
B	12.13'	128"	324	2	3/1		
C	34.05'	Full	515	2	4/4		
D	72.01'	Full	425	2	4/4		

APPROVED **HWC** **APPROVED**

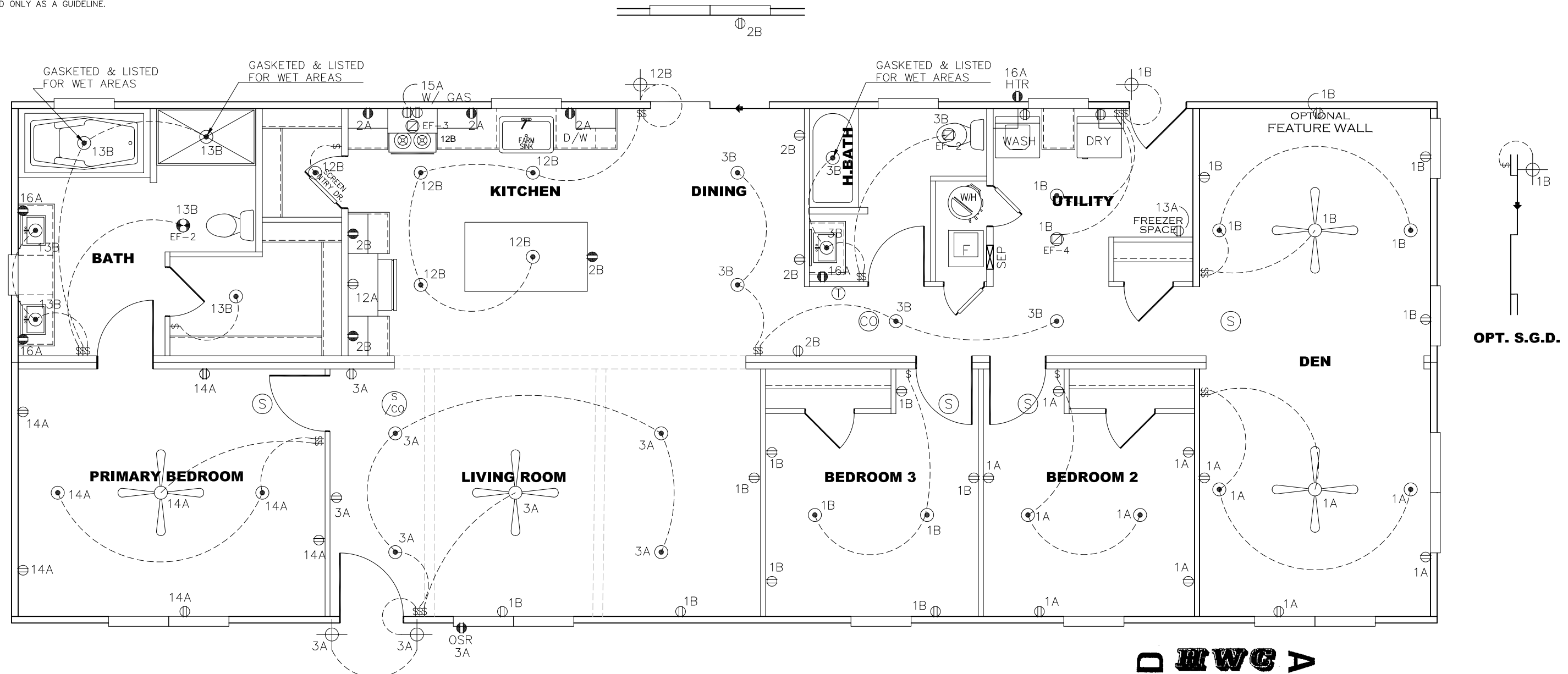
22 MAY 2023
 FP-28-5640
 Federal Manufactured Home Construction And Safety Standards

N/A		1896 SQ.FT. (STD PLAN "CONDITIONED")	
CMH MANUFACTURING	Model #: FRM28724A	Date: 5.1.23	Scale: N.T.S.
Product Designer: BF	28' x 72' Farm 3 Flex		
Floor Plan			

NOTES:

- ALL CIRCUITS SHOWN ARE FOR REFERENCE AND MAY BE CHANGED BASED ON OPTIONAL COMPONENTS INSTALLED IN THE HOME.
- REFER TO DAPIA MANUAL FOR SYMBOL CHART.
- EITHER LIGHT OR RECEPTACLE MUST CONNECT TO SWITCH.
- EF-1= 50 CFM EXHAUST FAN REQUIRED FOR THERMAL ZONE III THERMAL ZONES I & II MAY USE FAN OR WINDOW W/1.5 SQ. FT. OPENABLE GLASS.
- EF-2= 50 CFM EXHAUST FAN REQUIRED THERMAL ZONE I, II, AND III.
- EF-3= 100 CFM RANGE EXHAUST FAN, SWITCH AT HOOD.
- EF-4= WHOLE HOUSE VENTILATION REQUIREMENTS PER DAPIA MANUAL.
- REFER TO DAPIA MANUAL OR THE MFG. INSTALLATION INSTRUCTIONS FOR PROPER WIRE SIZE AND BREAKER SIZE FOR SPECIFIC APPLIANCE AND MODEL BEING INSTALLED.
- ALL SMOKE ALARMS TO BE LOCATED ON THE CEILING.
- CARBON MONOXIDE ALARMS ARE ONLY REQUIRED WHEN HOME HAS EITHER FUEL BURNING APPLIANCES, IS GARAGE READY OR IS BASEMENT READY. REFERENCE DAPIA MANUAL FOR ADDITIONAL INFORMATION.
- DIMENSIONS SHOWN ON PRINT ARE APPROXIMATE AND TO BE USED ONLY AS A GUIDELINE.

CIRCUIT	CIRCUIT #	WIRE	BREAKER	CIRCUIT	CIRCUIT #	WIRE	BREAKER	CIRCUIT	CIRCUIT #	WIRE	BREAKER
LIGHT/RECEP	1A,1B,3A,3B	14-2	15-SP	DRYER	5A,7B	SEE NOTE #8		BATHROOM	16A	12-2	20-SP
LIGHT/RECEP	12B,13B,14A,14B	14-2	15-SP	WATER HEATER	4A,6B	SEE NOTE #8		OPT G/DISP	9B	SEE NOTE #8	
KITCHEN	2A,2B	12-2	20-SP	RANGE	5B,7A	SEE NOTE #8		OPT SPA/WP/JAC	11A,B	SEE NOTE #8	
WASHER	12A	12-2	20-SP	FURNACE	6A,8A,B,10A,B	SEE NOTE #8		FREEZER	13A	SEE NOTE #8	
RANG HOOD/MICROWAVE	15B	SEE NOTE #8		OPT D/WASH	9A	SEE NOTE #8		OPT ELEC. FIREPLACE	16B	SEE NOTE #8	
OPT. GAS RANG	15A	SEE NOTE #8		SMOKE/CO DECT	4B	SEE NOTE #8					
				REFER	12B	SEE NOTE #8					



APPROVED **RWC** **APPROVED**
 22 MAY 2023
 FP-28-5640
 Federal Manufactured Home Construction And Safety Standards

1896 SQ.FT. (STD PLAN "CONDITIONED")

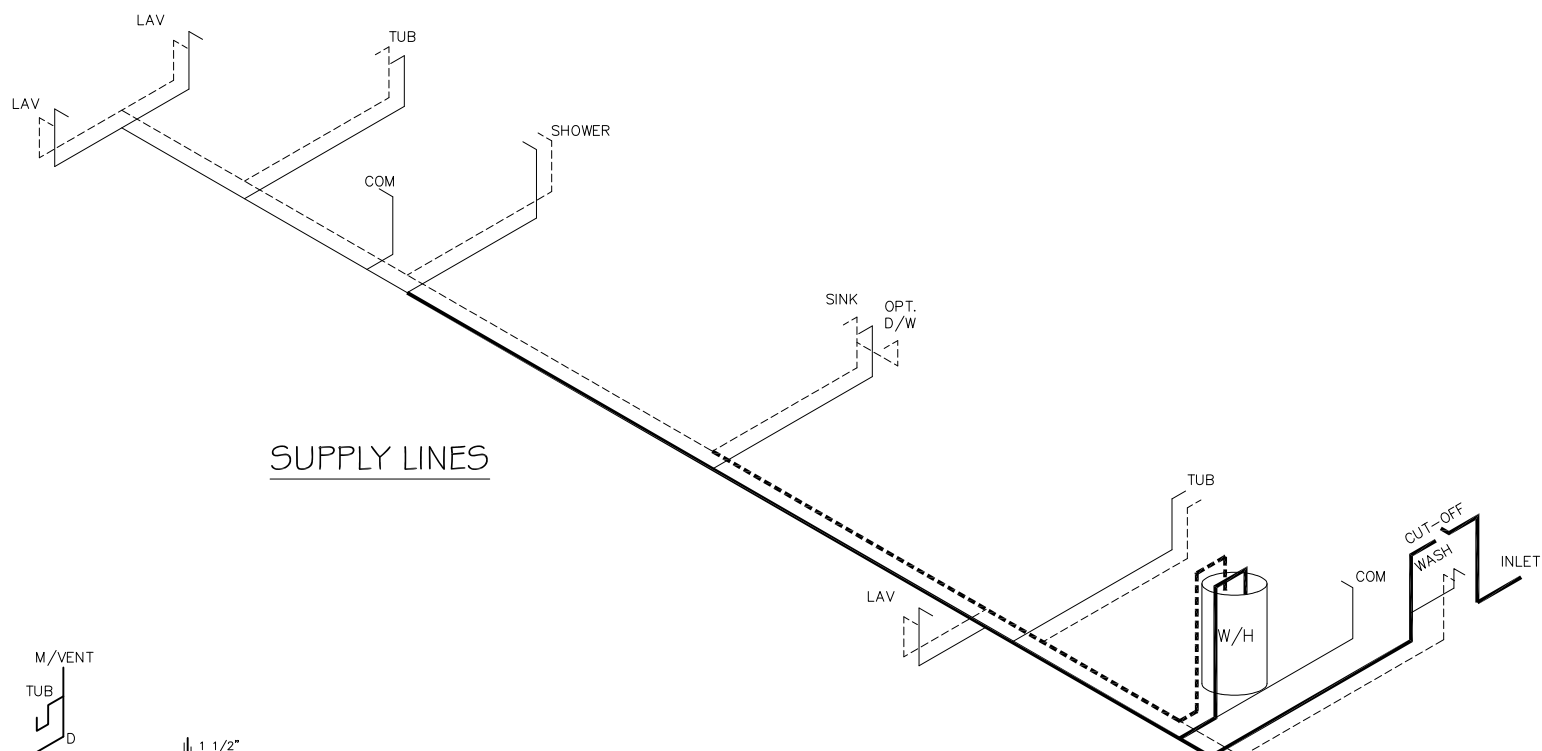
N/A

CMH MANUFACTURING	Model #: FRM28724A	Drawing #:
Product Designer: BF	Date: 5.1.23	Scale: N.T.S.
28' x 72' Farm 3 Flex		52M023

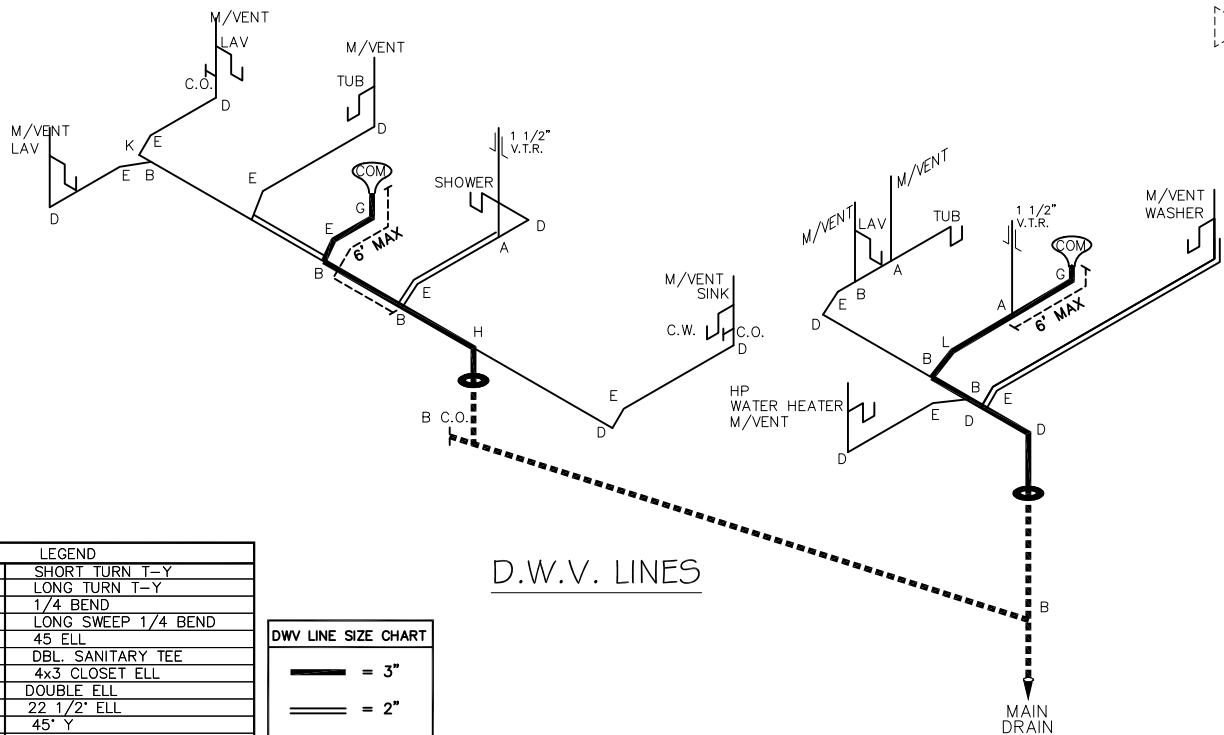
ELECTRICAL PLAN-06

NOTE:
 DASHED LINES INDICATE HOT WATER
 SOLID LINES INDICATE COLD WATER

———— = 3/4"
 ———— = 1/2"



SUPPLY LINES



D.W.V. LINES

APPROVED **HWG** **APPROVED**
 22 MAY 2023
 FP-28-5640
 Federal Manufactured Home Construction And Safety Standards

1896 SQ.FT. (STD PLAN "CONDITIONED")

N/A		
CMH MANUFACTURING	Model #: FRM28724A	Drawing #:
Date: 5.1.23	Scale: N.T.S.	52MO23
Product Designer: BF	28' x 72' Farm 3 Flex	
DWV and SUPPLY LINES		

LEGEND

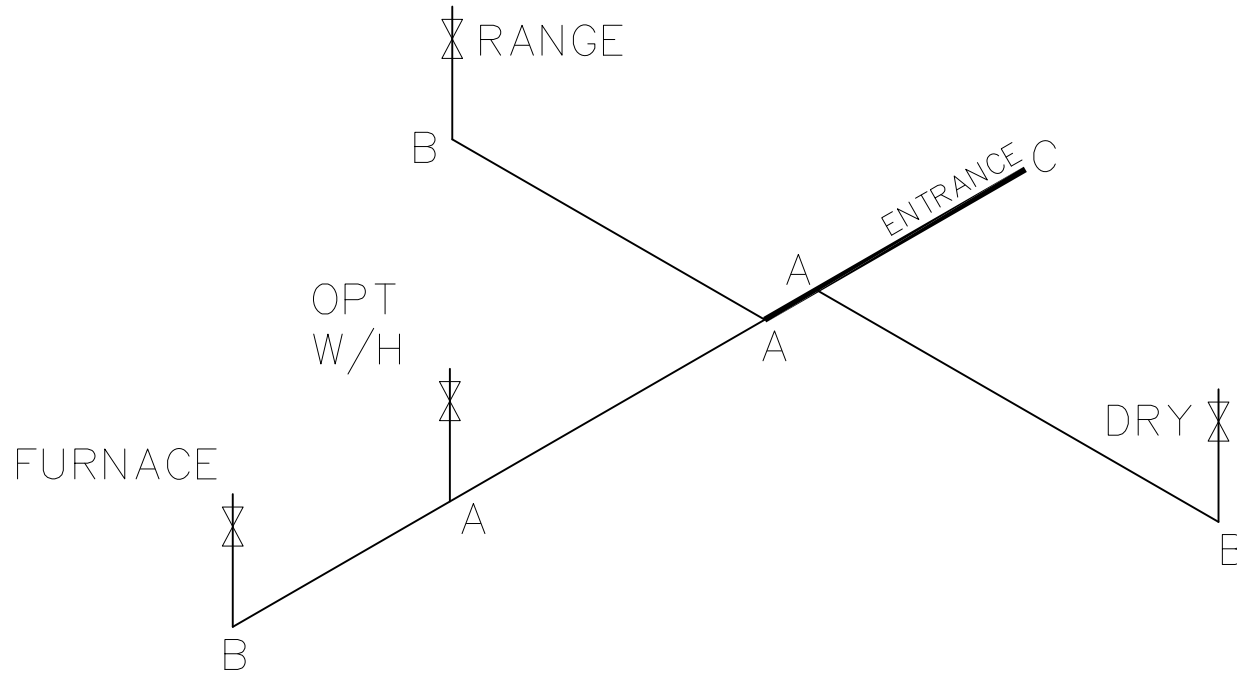
A	SHORT TURN T-Y
B	LONG TURN T-Y
C	1/4 BEND
D	LONG SWEEP 1/4 BEND
E	45 ELL
F	DBL. SANITARY TEE
G	4x3 CLOSET ELL
H	DOUBLE ELL
I	22 1/2" ELL
J	45° Y
K	LONG TURN STREET ELBOW
L	45 FTG ELL

DWV LINE SIZE CHART

————	= 3"
————	= 2"
————	= 1 1/2"

LEGEND		APPLIANCE BTU'S RATINGS MAX. INPUT	
SYM	FITTINGS		
A	TEE	FURNACE	65,000 BTU'S
B	90 ELL	W/H	37,000 BTU'S
X	VALVE	RANGE	52,000 BTU'S
C	CAP	DRYER	22,000 BTU'S

MDL=45'



NOTES:

- 1) ALL PIPE IS 3/4" I.D.CAST (EXCEPT WHERE NOTED OTHERWISE)
- 2) MDL=MAX. DETERMINED LENGTH OF PIPE
- 3) FITTING MAY BE ADDED OR SUBTRACTED TO TRAVERSE VARIATIONS IN AXLE QUANTITY, PLACEMENT, AND FRAME TYPE.
- 4) INLET LOCATION MAY VARY TO STAY WITHIN MAX. DETERMINED LENGTH

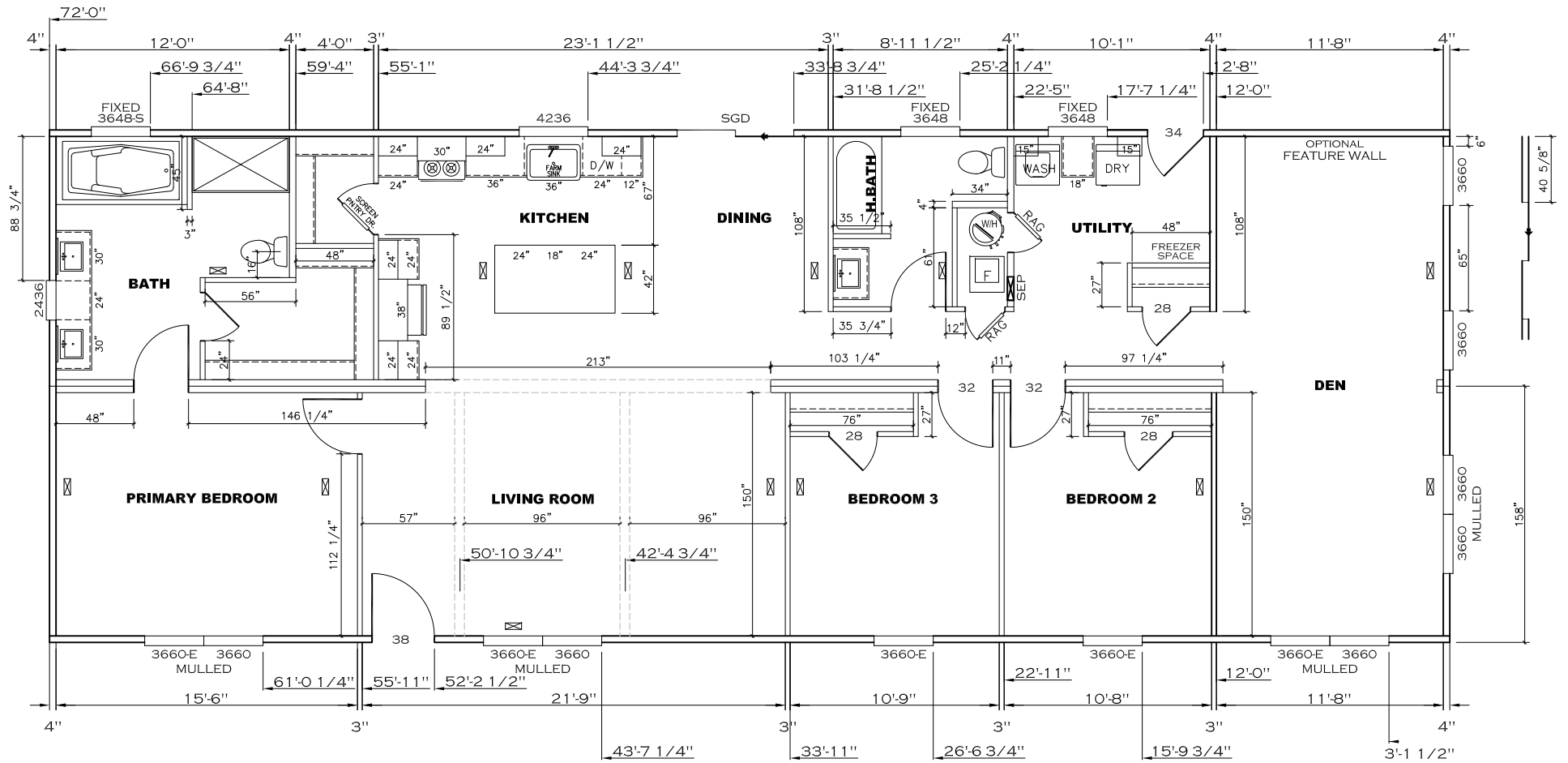
APPROVED **RWC** **APPROVED**
 22 MAY 2023
 FP-28-5640
 Federal Manufactured Home Construction And Safety Standards

GAS LINE SIZE CHART	
	= 1"
	= 3/4"

1896 SQ.FT. (STD PLAN "CONDITIONED")

N/A		Model #: FRM28724A		Drawing #:	
CMH MANUFACTURING		Date: 5.1.23	Scale: N.T.S.	52MO23	
Product Designer: BF		28' x 72' Farm 3 Flex			
GAS LINE					

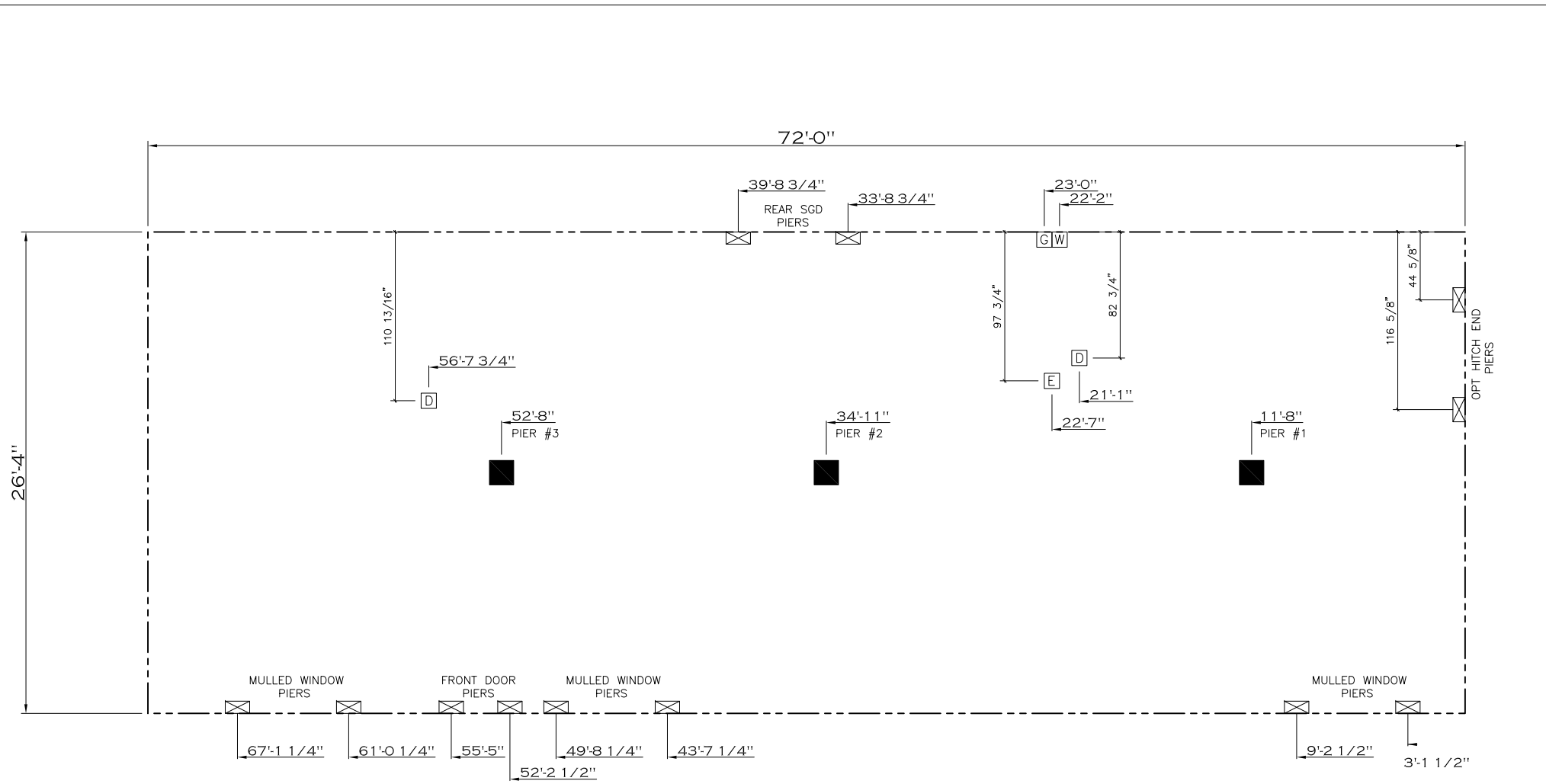
MULLED
3660 3660



1896 SQ.FT. (STD PLAN "CONDITIONED")

REV:-5/23/2023 11:31 AM

N/A		1896 SQ.FT. (STD PLAN "CONDITIONED")	
CMH MANUFACTURING	Model #: FRM28724A	Drawing #:	
	Date: 5.1.23	Scale: N.T.S.	52MO23
Product Designer: BF		28' x 72' Farm 3 Flex	
Shop Print			



- GENERAL NOTES:
- PIER LOADS SHOWN ARE TO BE USED TO SIZE THE FOOTINGS BELOW THE MARRIAGEWALL FOR COLUMN SUPPORT PIERS. REFER TO TABLES 6b AND 6c IN THE INSTALLATION MANUAL FOR LOAD ON FRAME PIER FOOTINGS FOR HOMES THAT DO NOT REQUIRE PERIMETER BLOCKING. REFER TO TABLES 7b AND 7c IN THE INSTALLATION MANUAL FOR LOAD ON FRAME PIER FOOTINGS THAT REQUIRE PERIMETER BLOCKING. REFER TO TABLES 10 AND 10a TO DETERMINE FOOTING SIZE FOR ALL PIERS.
 - REFER TO TABLE 9 FOR PIER CONFIGURATION AND MAXIMUM ALLOWABLE HEIGHTS. CROSS REFERENCE THE PIER HEIGHT WITH THE MAXIMUM ALLOWABLE FLOOR HEIGHT LISTED IN THE FRAME TIEDOWN CHARTS (TABLE 18, 19, AND 20).
 - FLOOR WIDTH SHOWN IS FOR STANDARD PRODUCT ONLY. CONTACT THE MFG PLANT FOR SPECIFICATIONS OF OPTIONS ORDERED.
 - SERVICE DROP LOCATIONS IDENTIFIED ARE APPROXIMATE.
 - THE MAXIMUM SPACING FOR FRAME SUPPORT PIERS FOR 8" I-BEAMS IS 8 FEET, 10" & 12" I-BEAMS ARE 10 FEET.

PIER LEGEND	
□	= SUPPORT UNDER MATING OPENING
■	= SUPPORT AT MATING COLUMN
▨	= SUPPORT UNDER MATING WALL
■	= PIER PORCH/RECESSED ENTRY
□	= PIER MAIN BEAM
⊞	= PIER PERIMETER
●	= TIE-DOWN SUPPORT (QTY PER TBL M, SEE DETAIL D-6 IN FOUND. PKG.)

SERVICE DROP LEGEND	
E	= ELECTRICAL DROP
W	= WATER INLET
D	= DWV PLUMBING DROP
G	= GAS INLET

1896 SQ.FT. (STD PLAN "CONDITIONED")

N/A

CMH MANUFACTURING	Model #: FRM28724A	Drawing #:
	Date: 5.1.23	Scale: N.T.S.
Product Designer: BF		28' x 72' Farm 3 Flex
SERVICE DROPS		